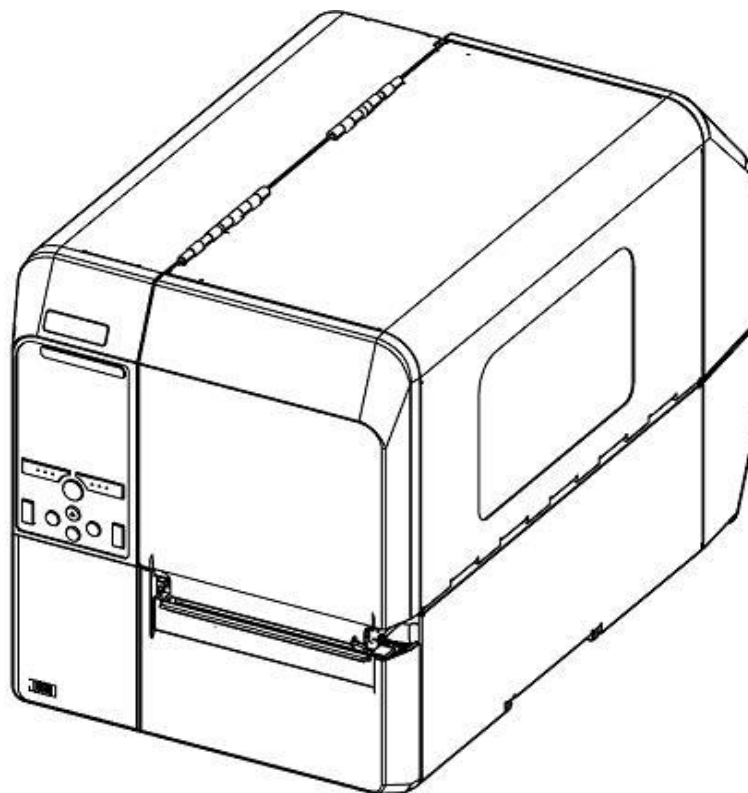


DATE: 13 Jan, 2017



CL4NX PRINTER+COMBO SERVICE PARTS LIST

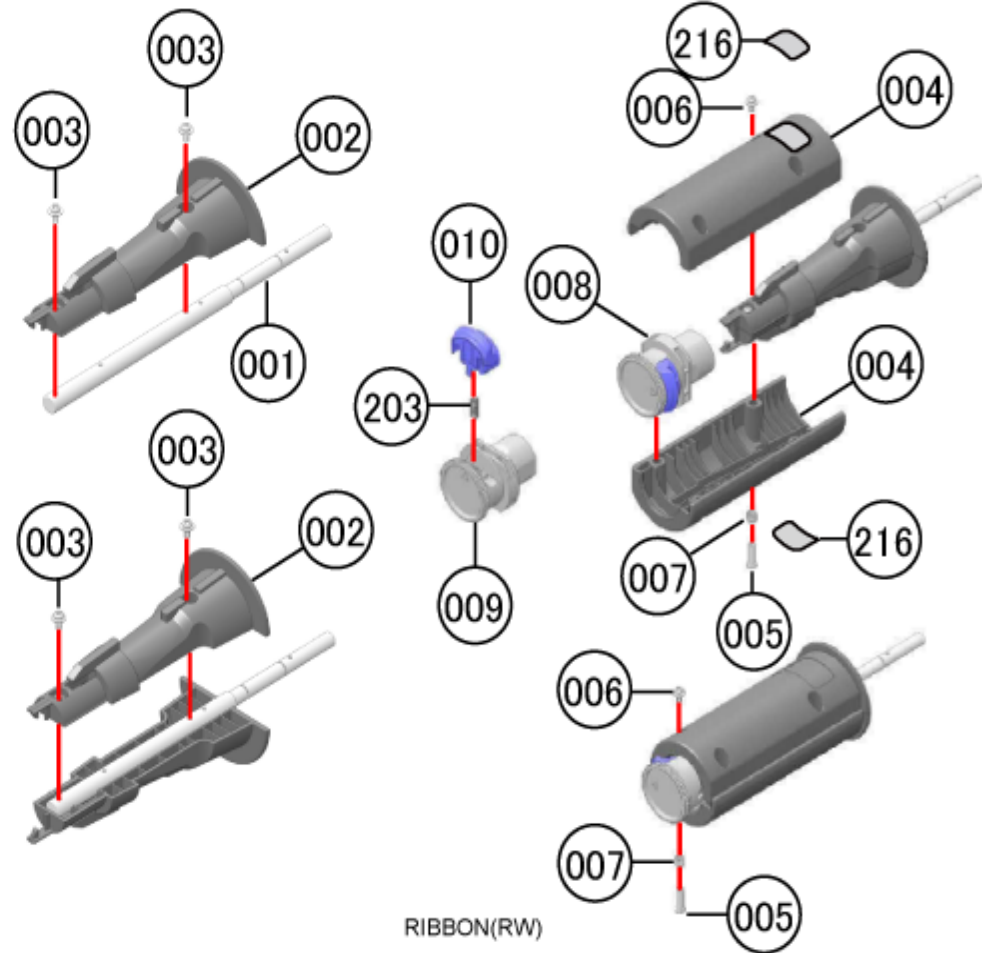
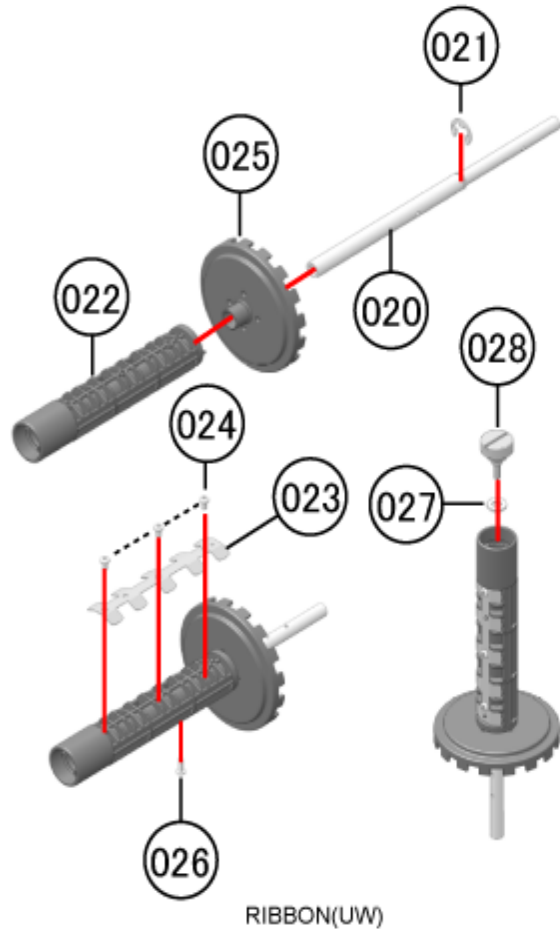


Create Date:

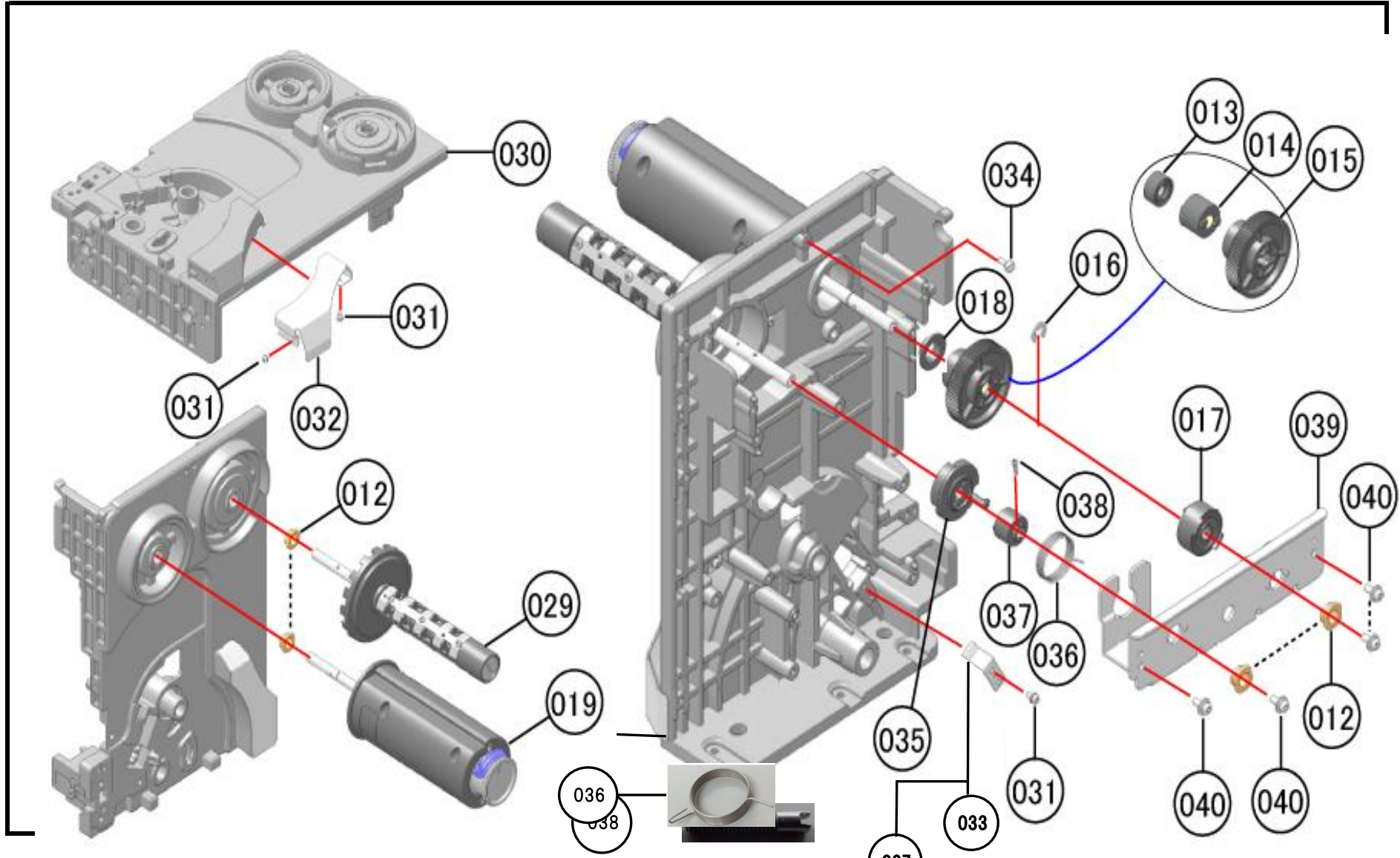
WWCL00060

RV00324

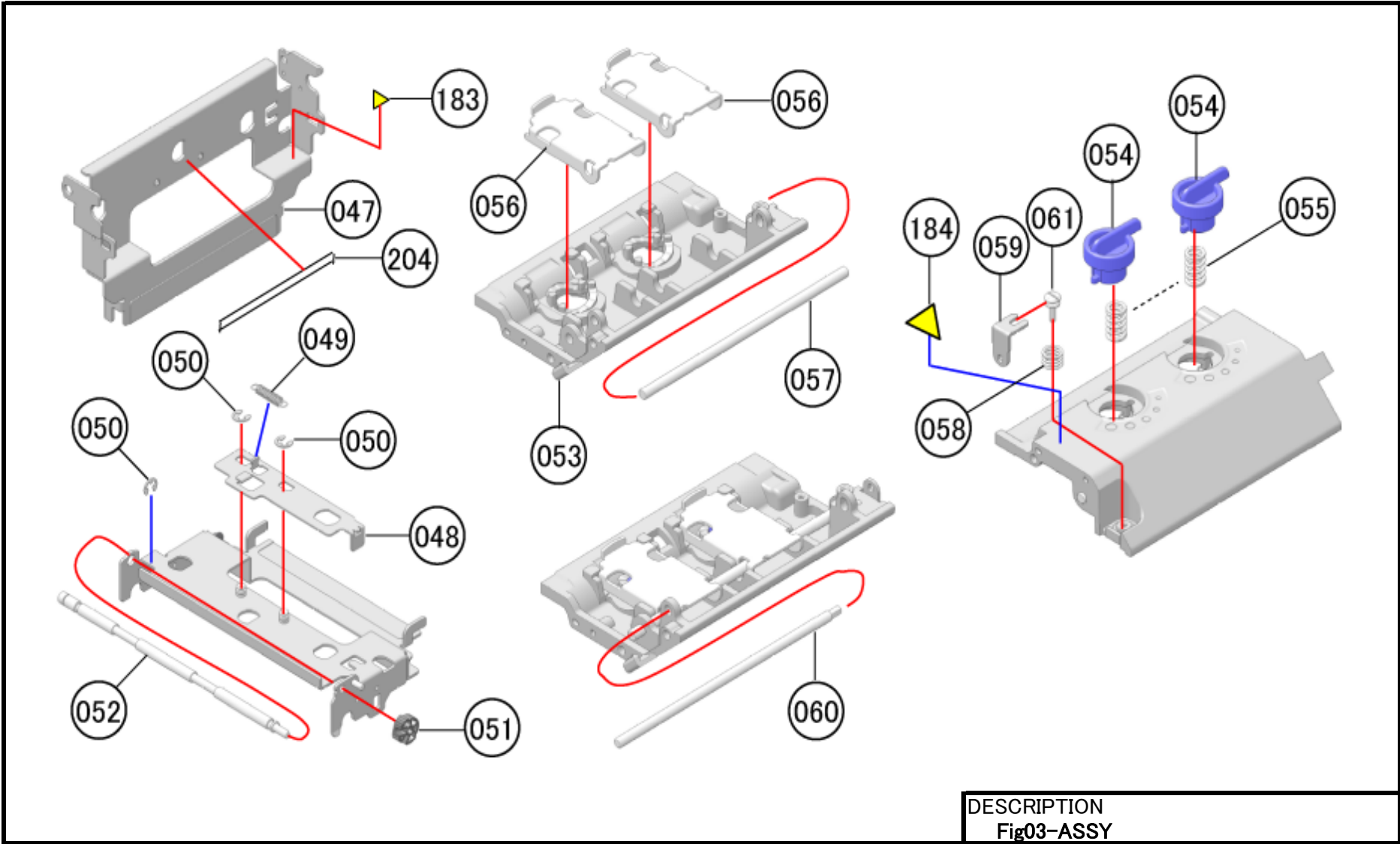
SATO CORPORATION . TOKYO. JAPAN

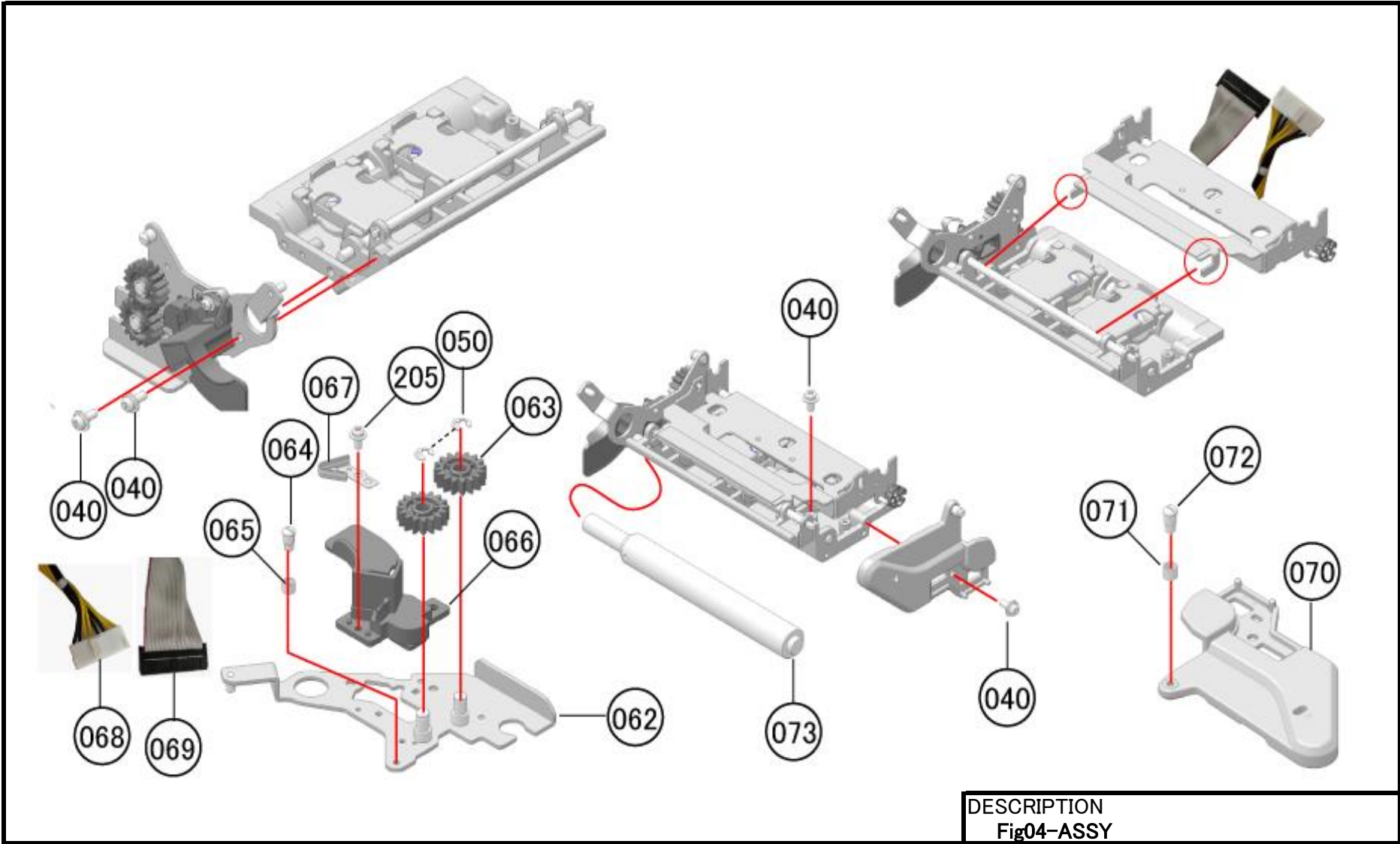


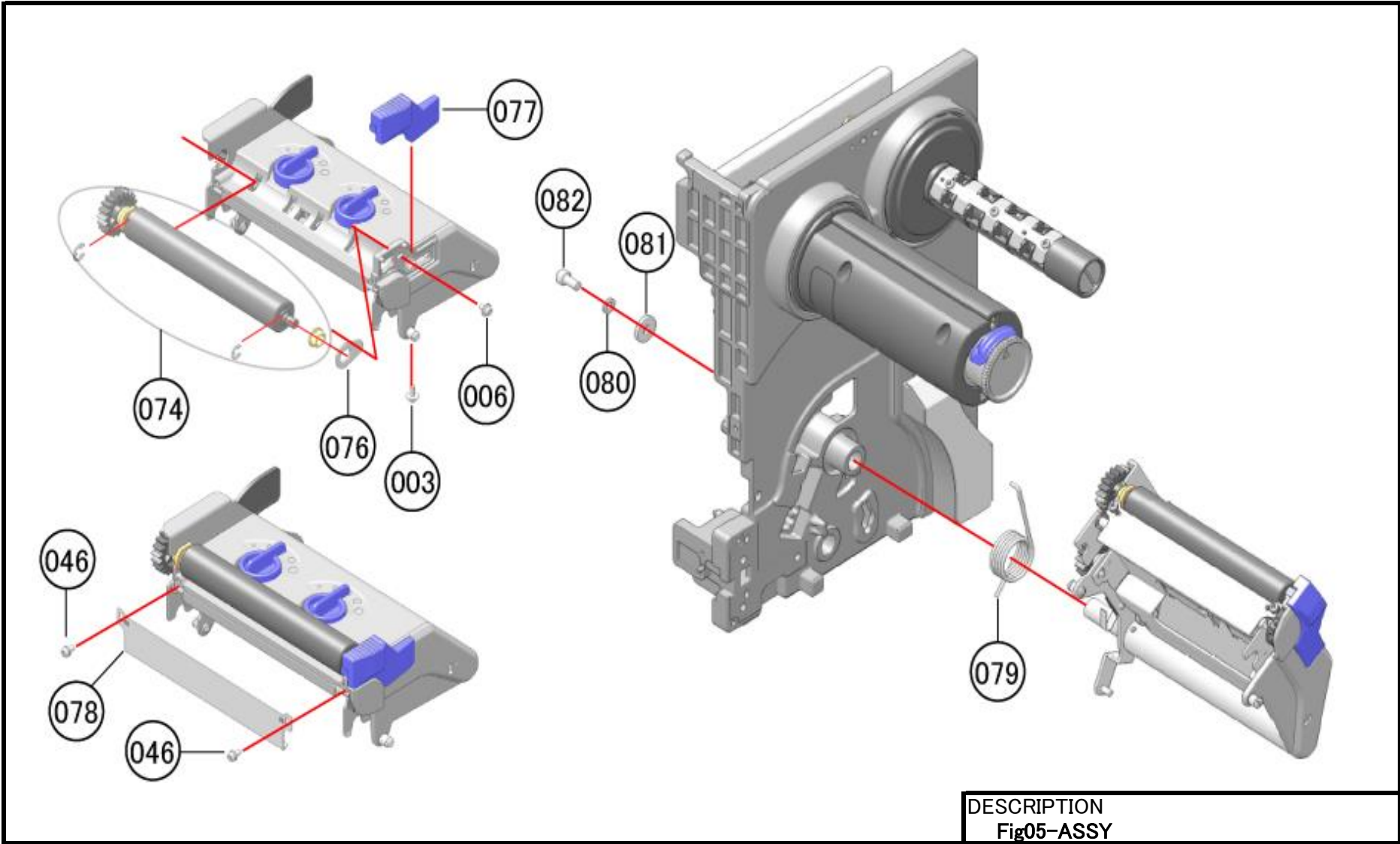
DESCRIPTION
Fig01-ASSY

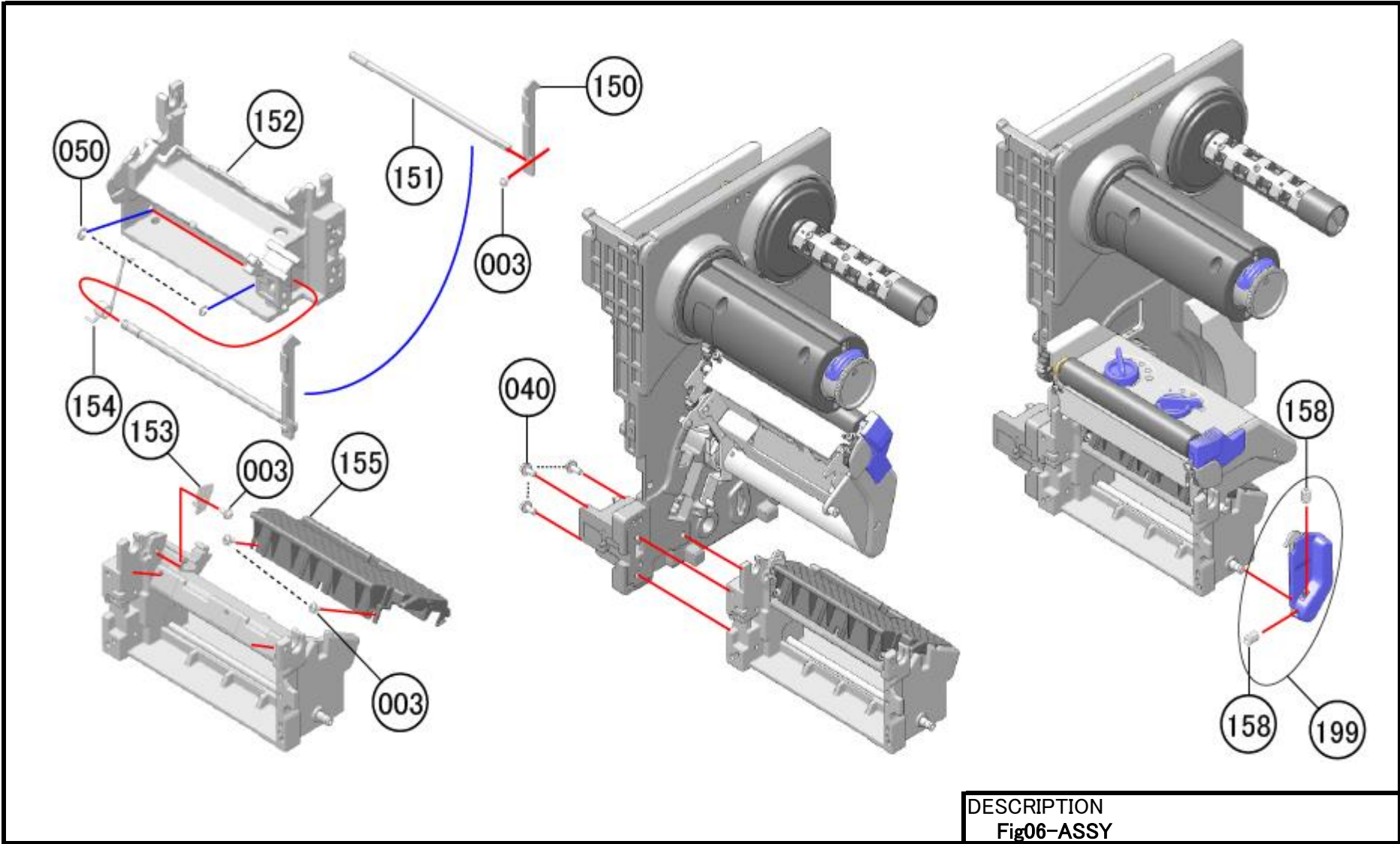


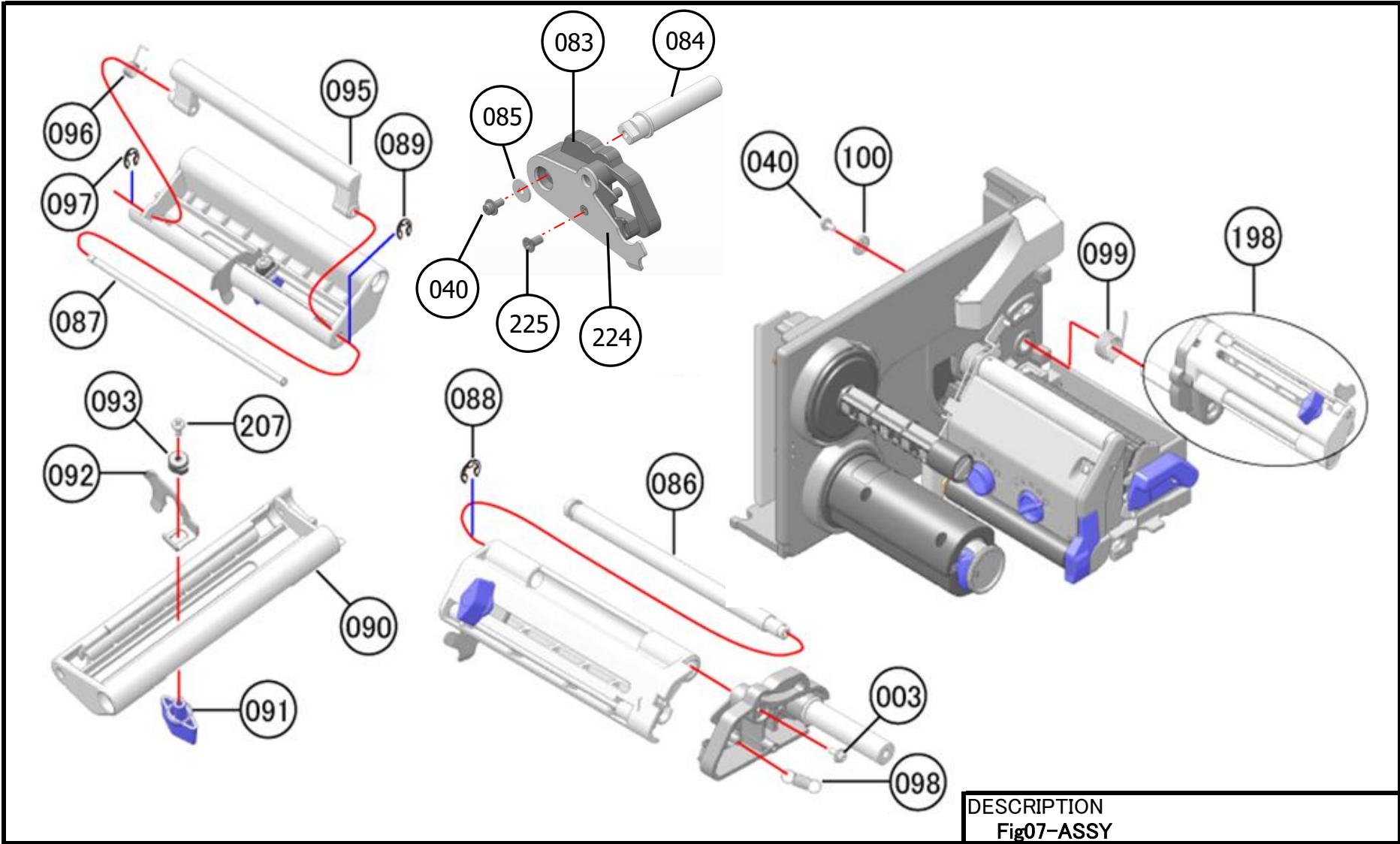


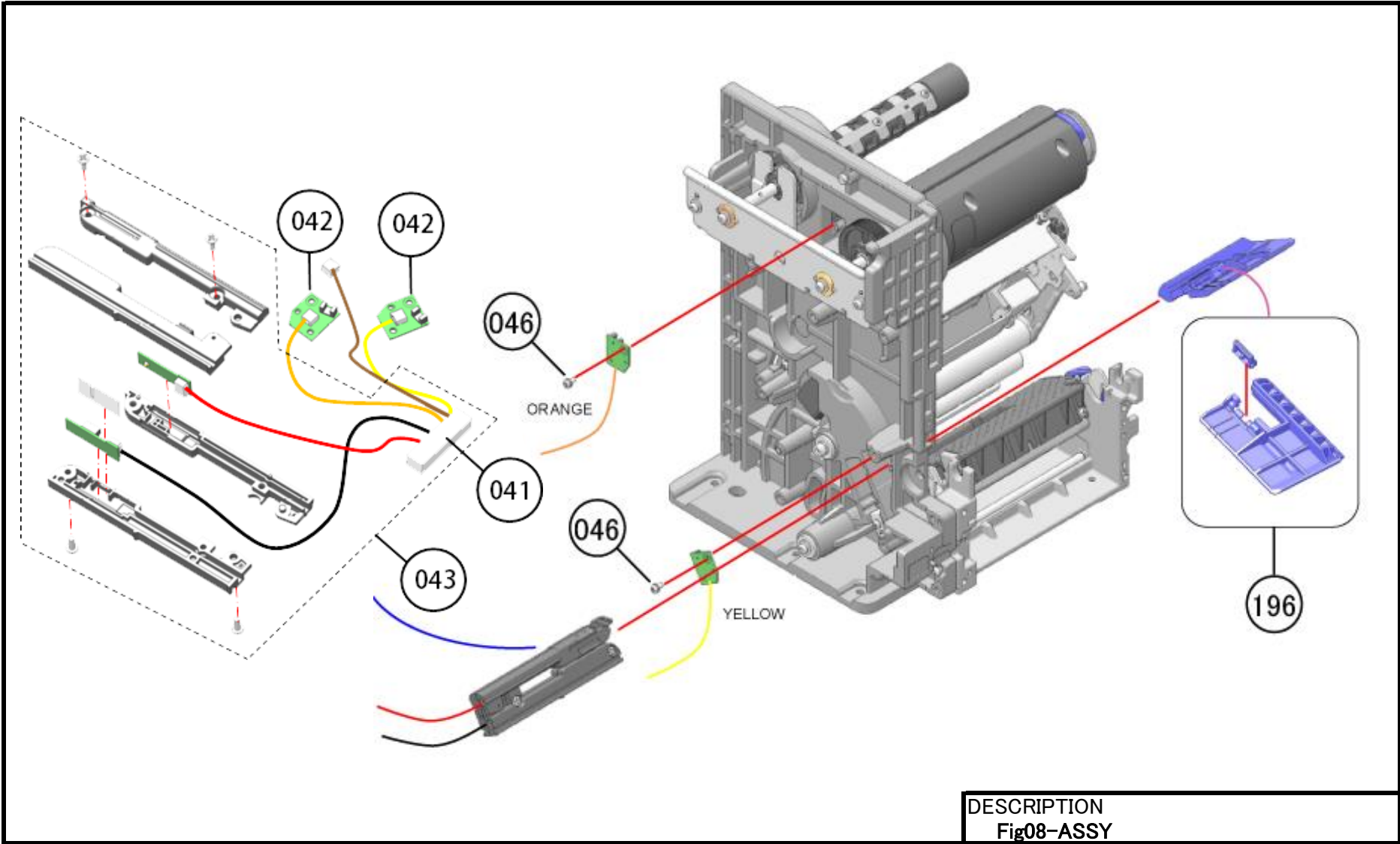


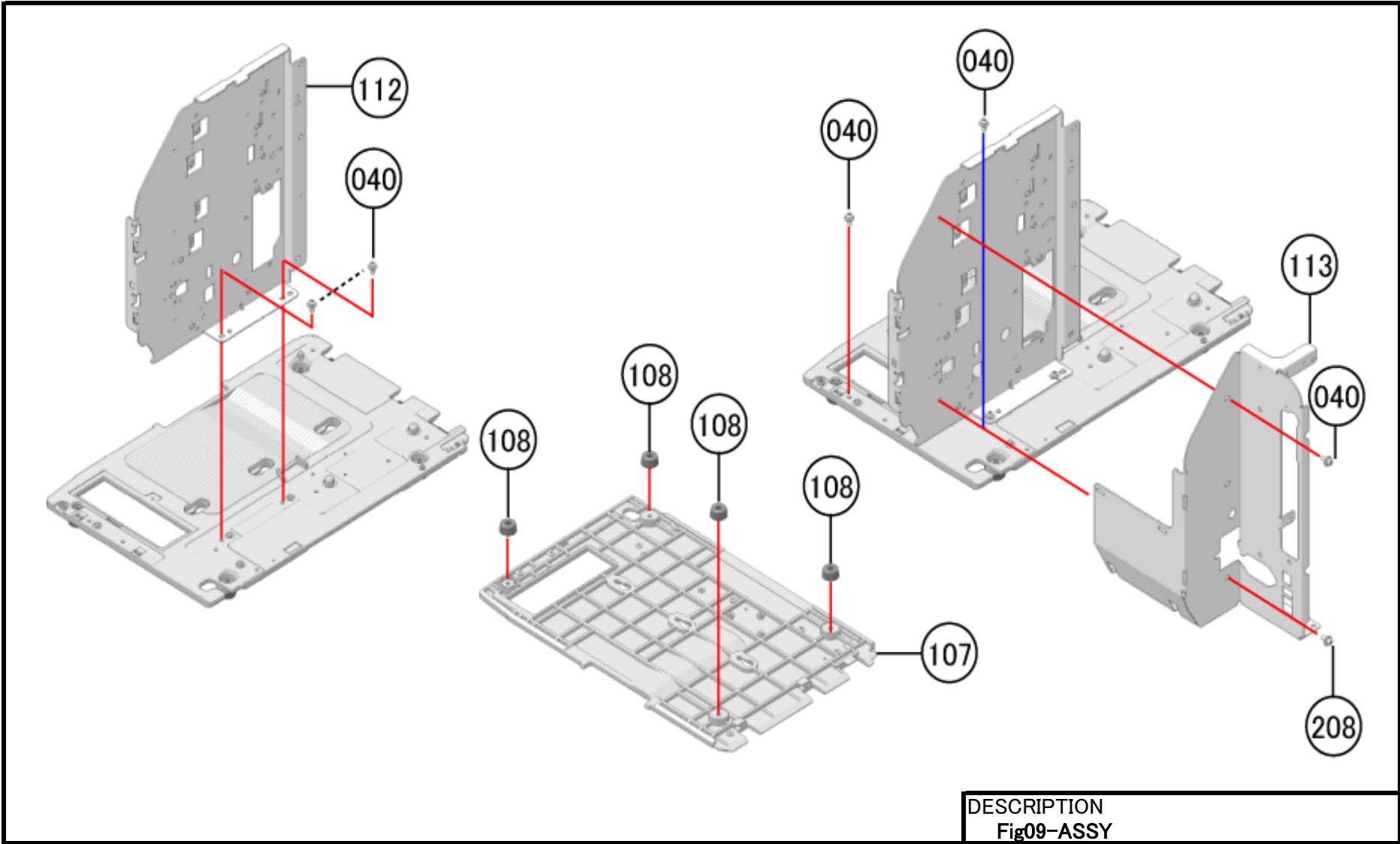


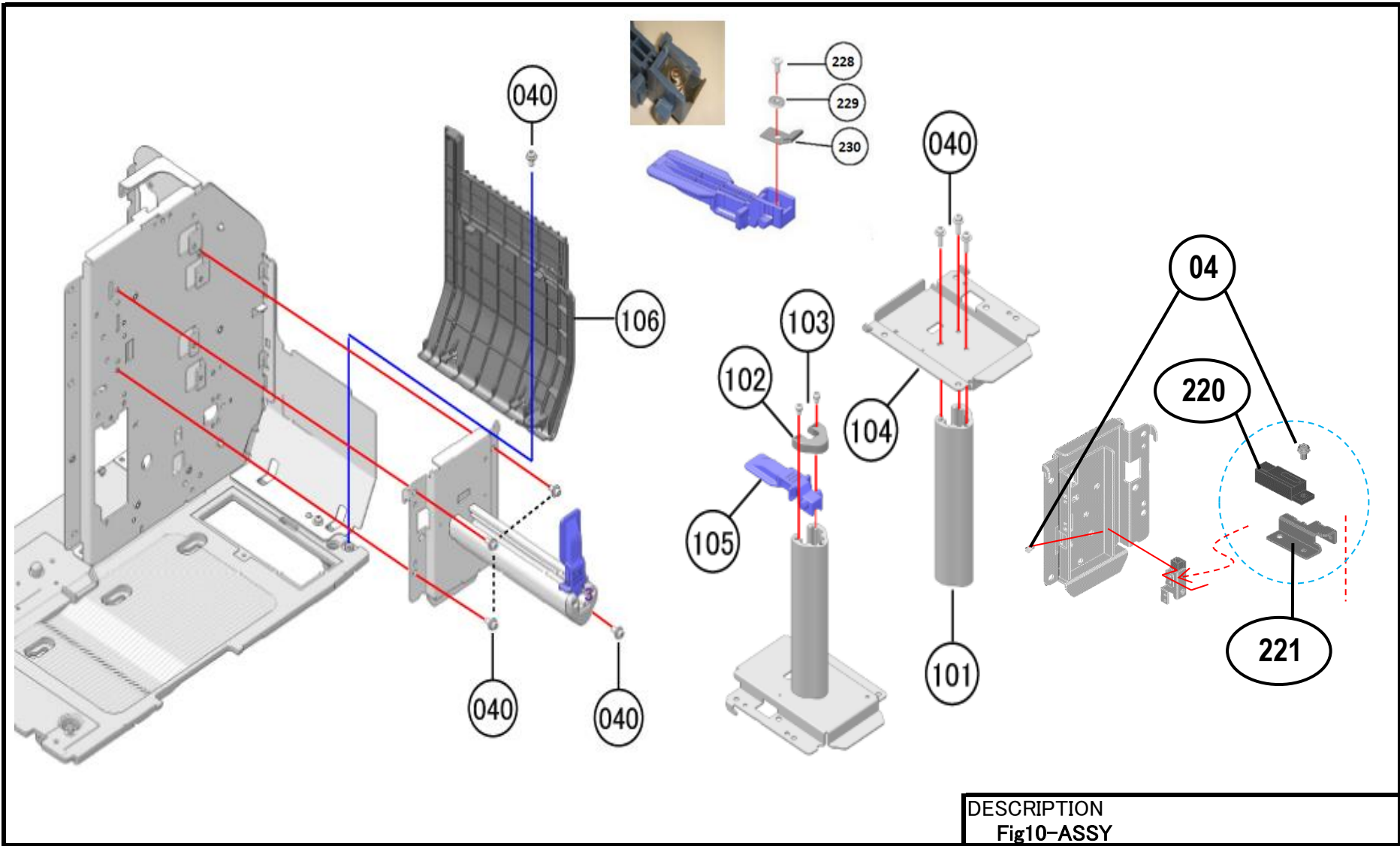


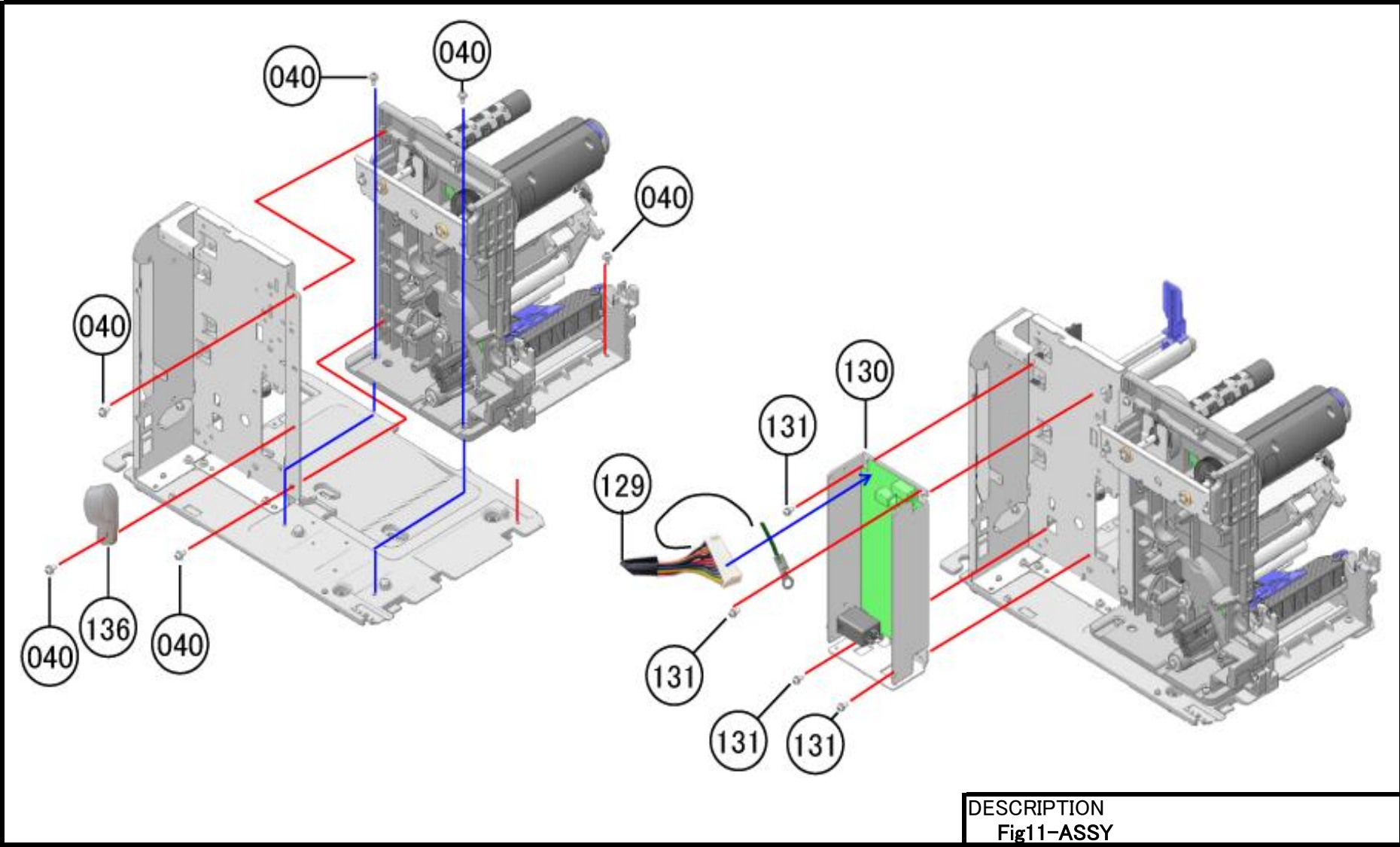


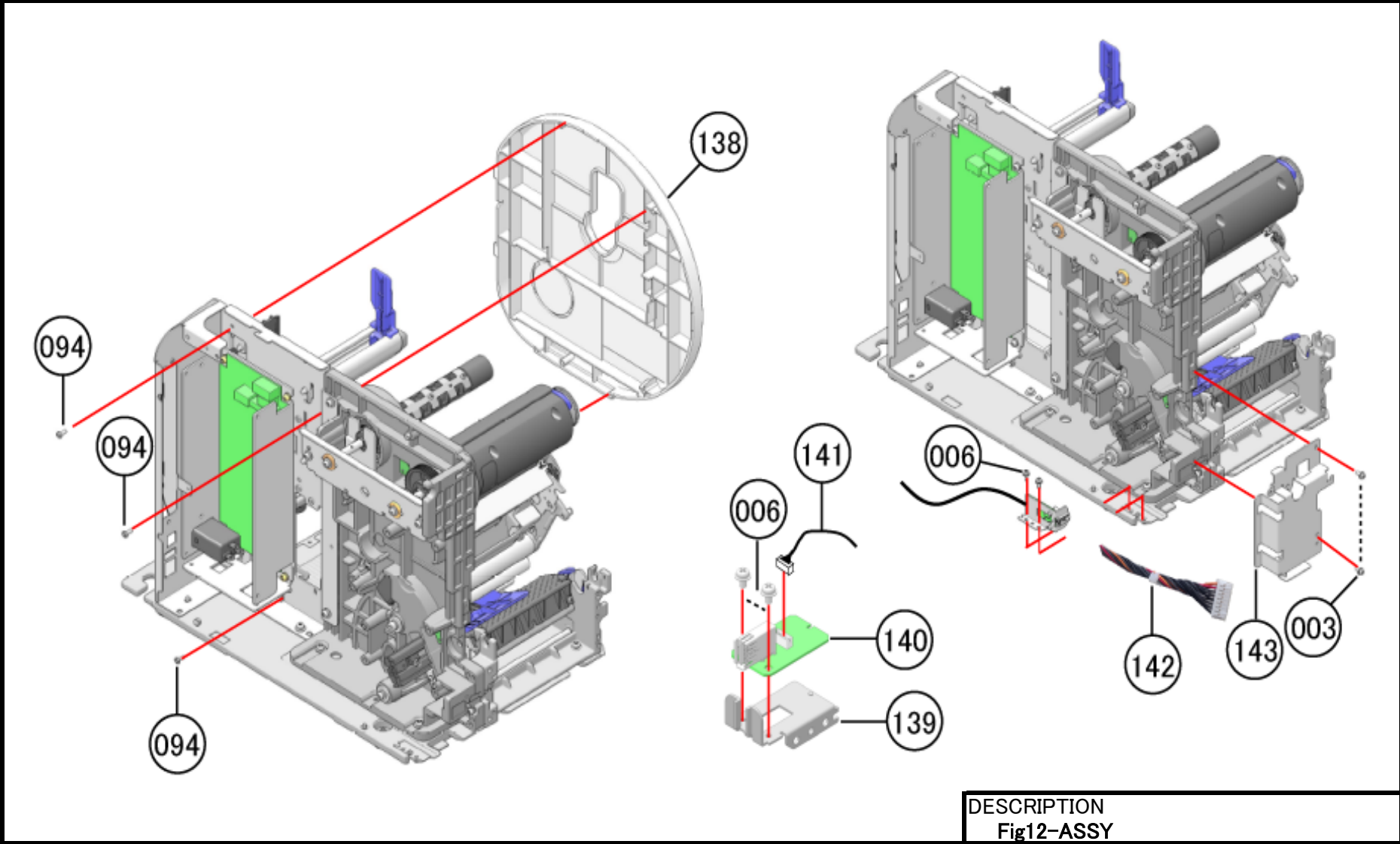


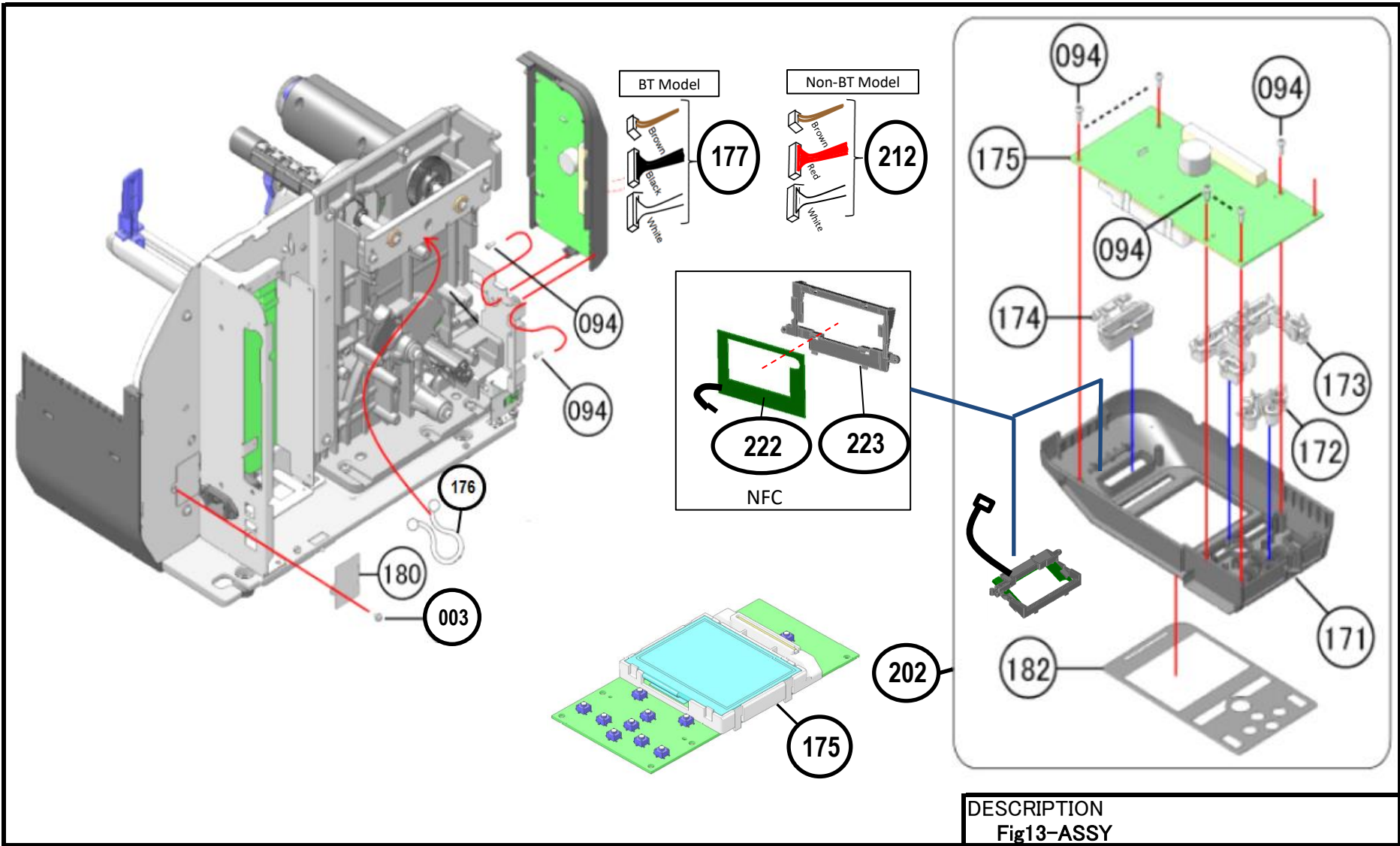


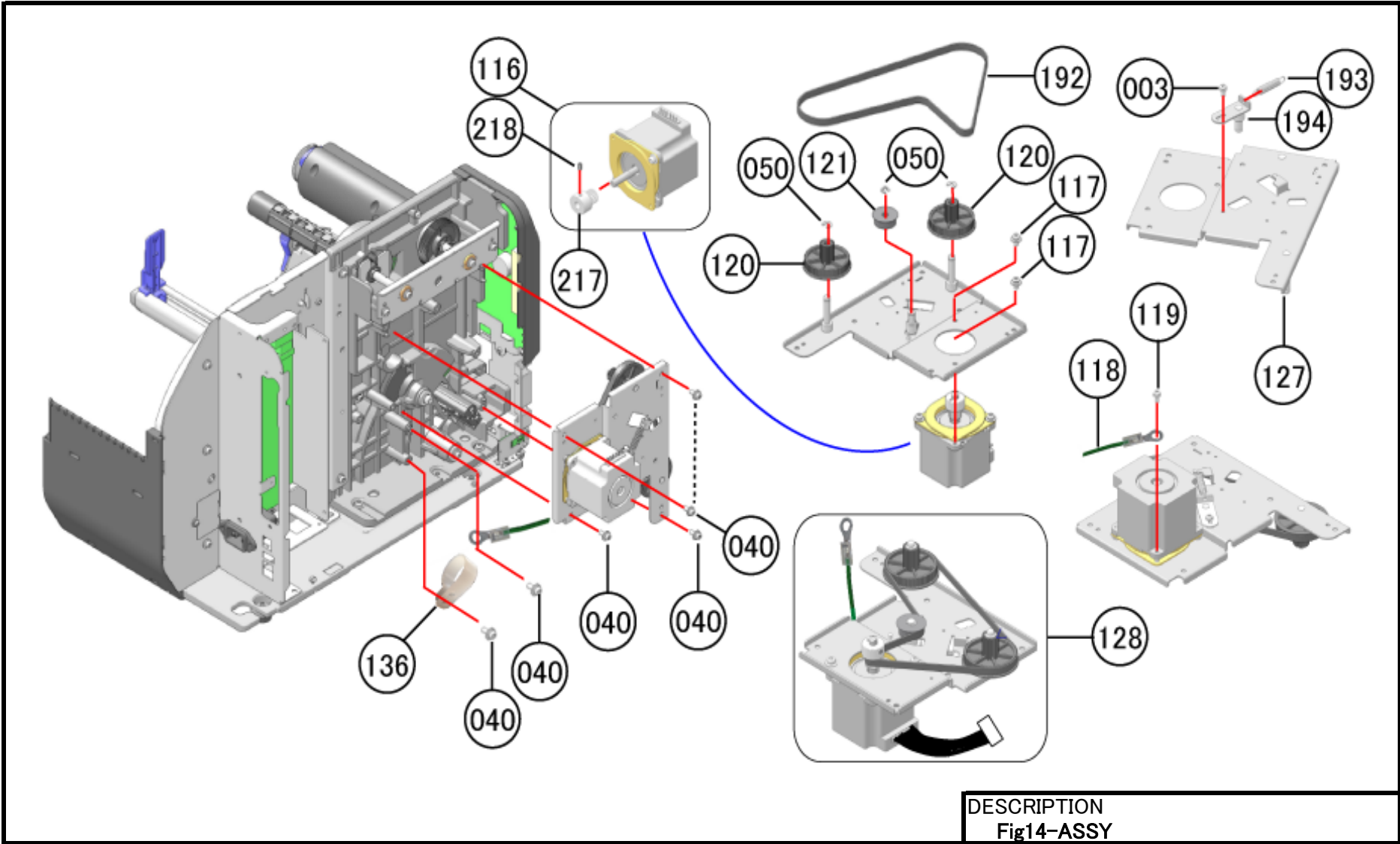


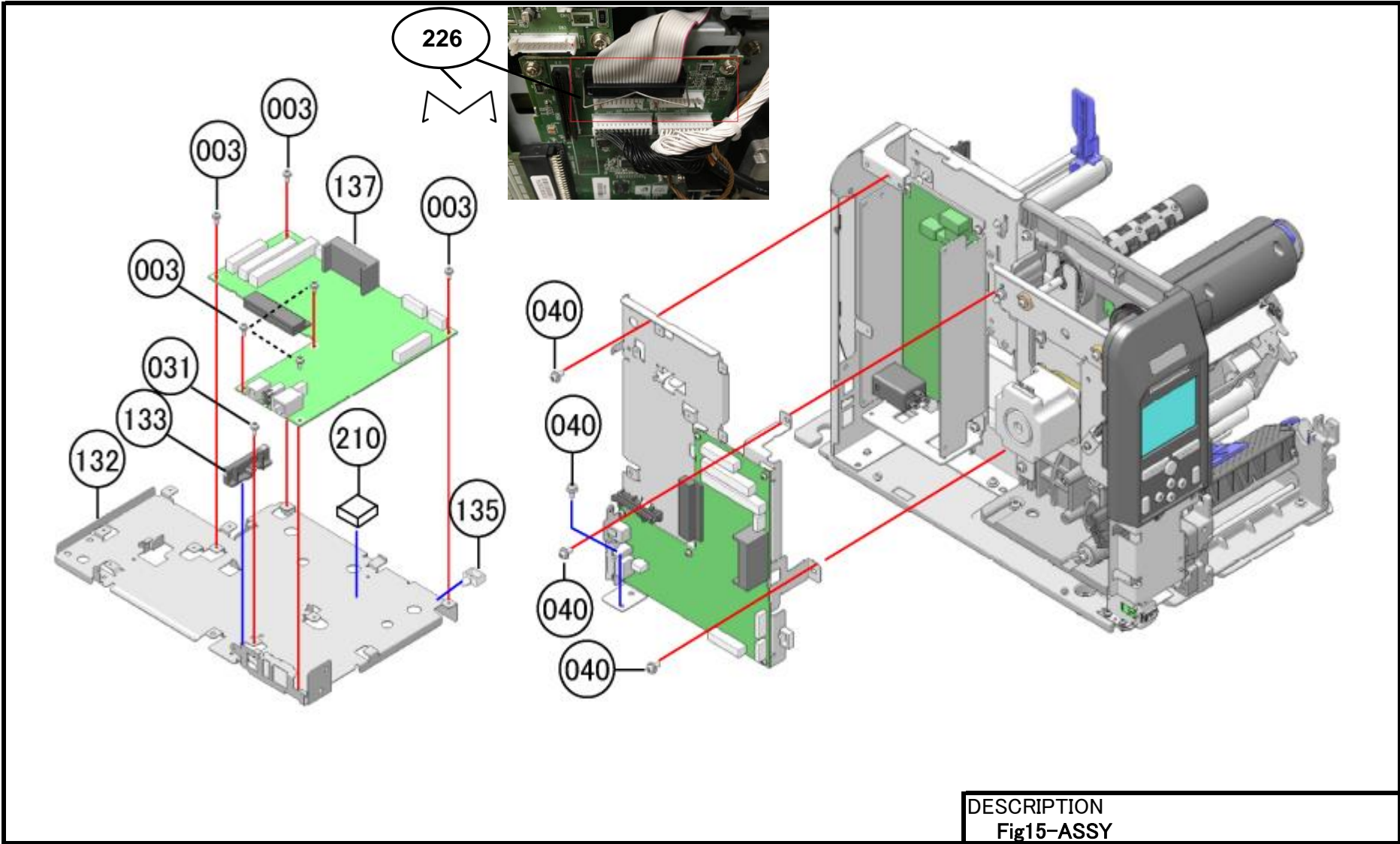


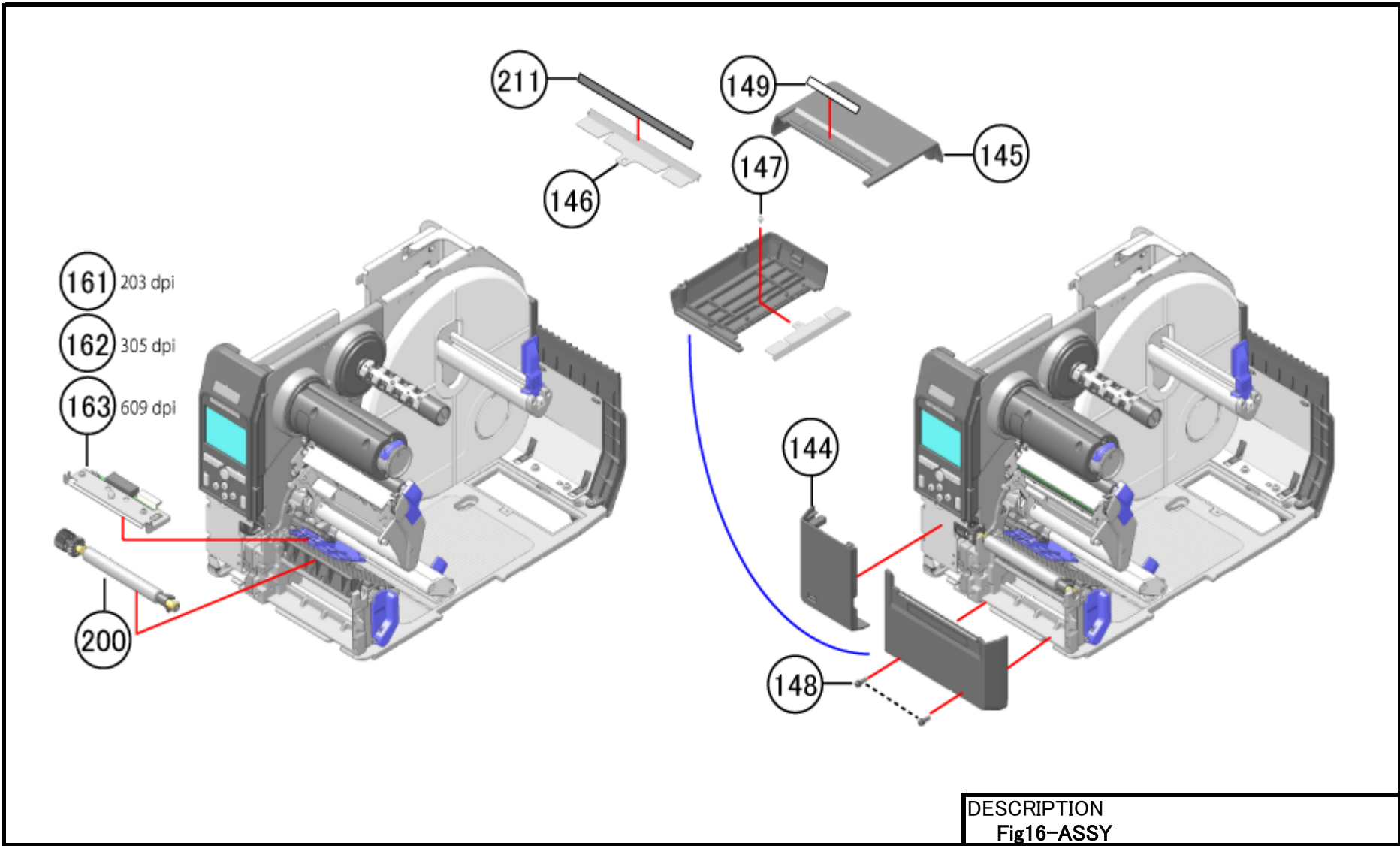


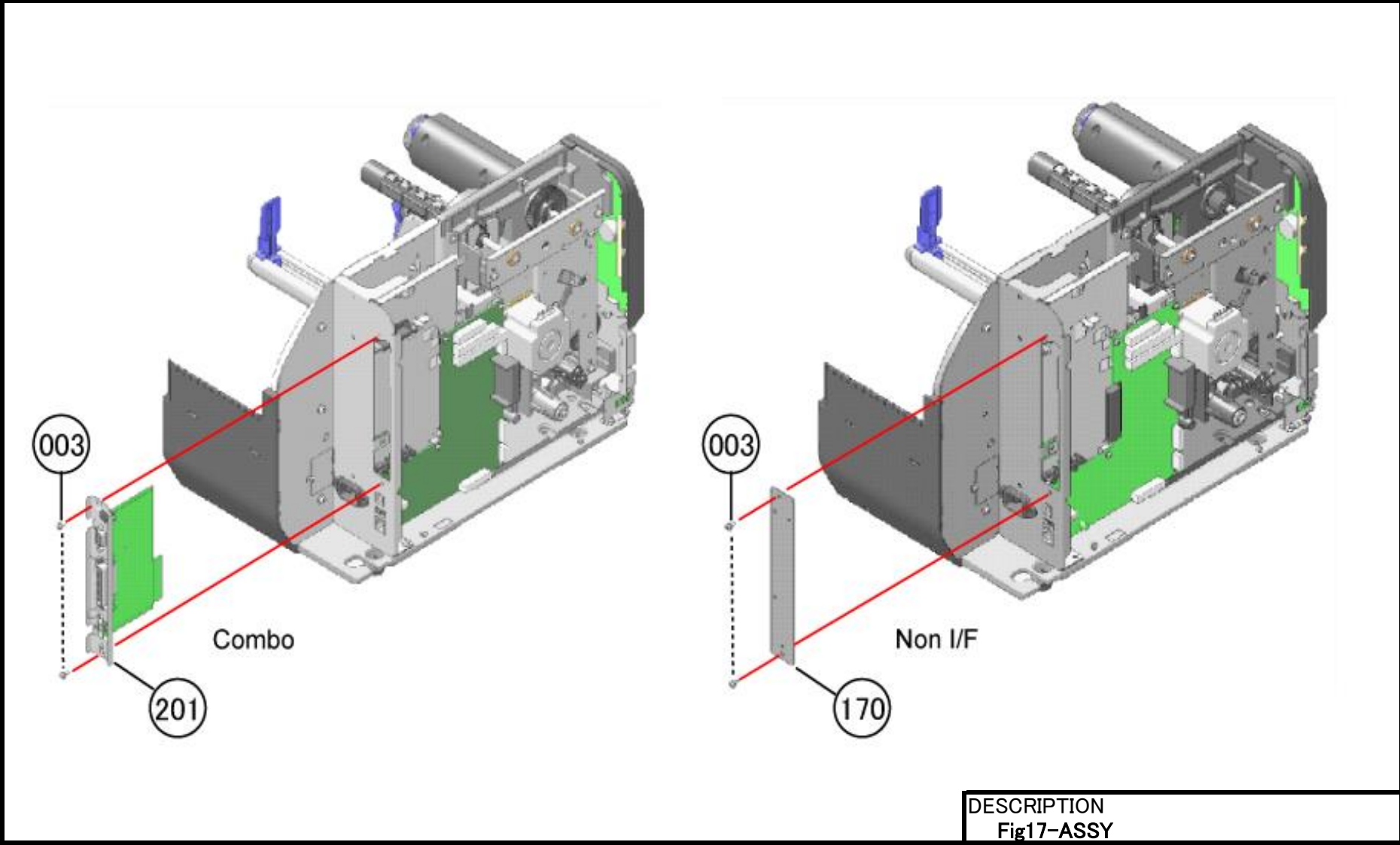


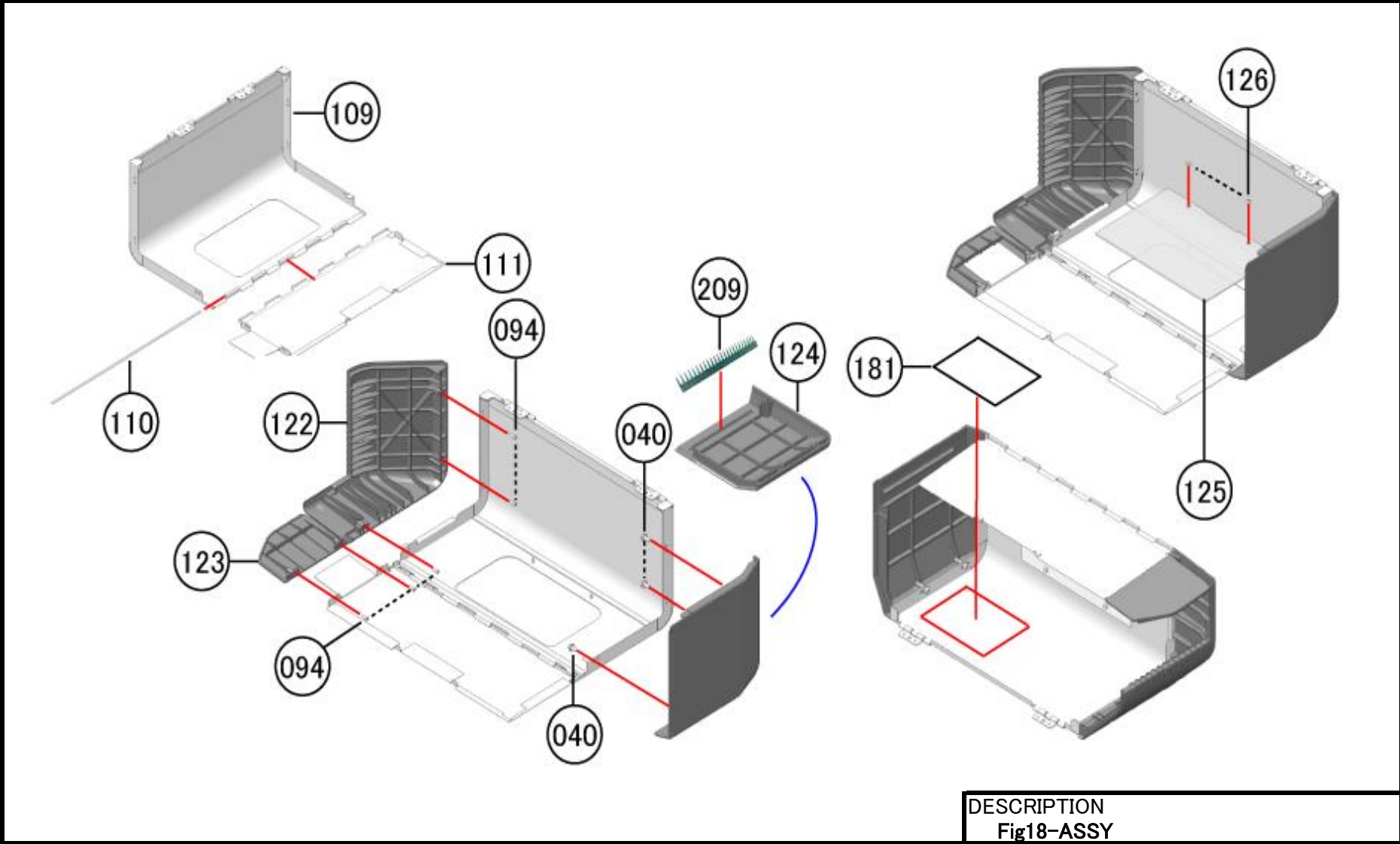


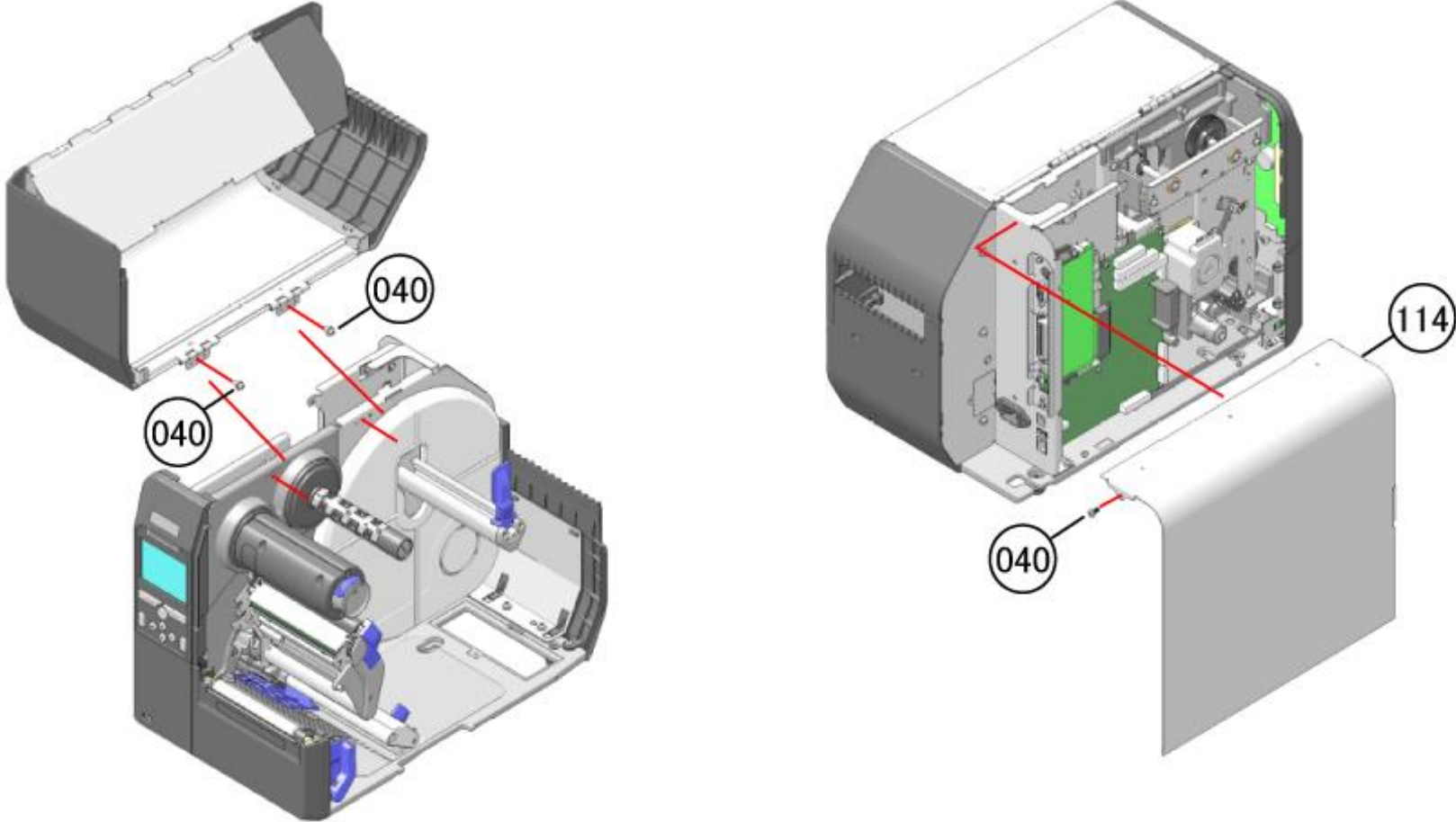




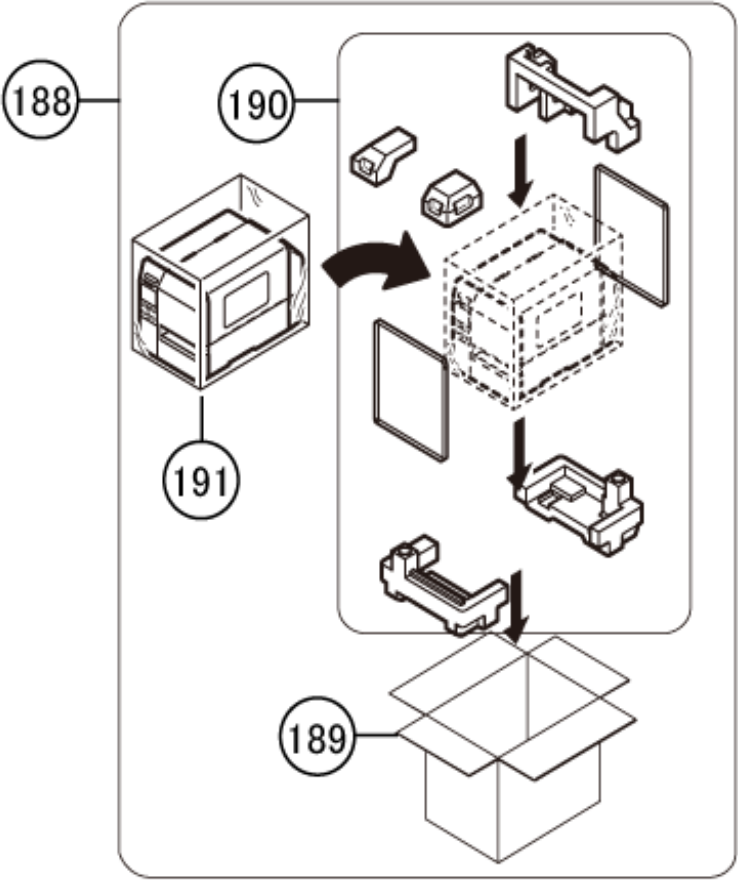
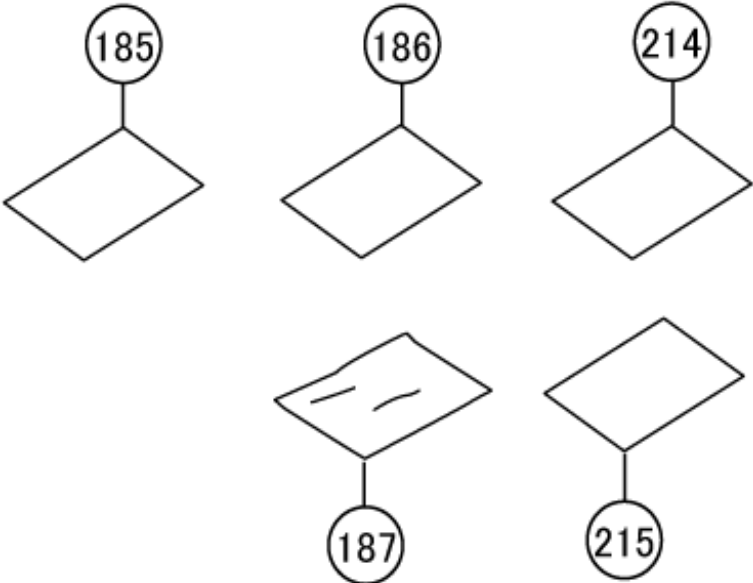








DESCRIPTION
Fig19-ASSY



DESCRIPTION
Fig20-ASSY

CL4NX PRINTER+COMBO SERVICE PARTS LIST

	First_Code	Parts_No (REV.NO)	Description	NOTE
1	P53632000	P53632000	SHAFT(RIBBON CORE)	Fig01
2	P53003000	P53003000	RIBBON CORE-IN	Fig01
3	MD4300822	MD4300822	PAN HEAD SCREW+SW+WL	Fig01,05,06,07,12,13,14,15,17
4	R29804000	R29804000	RIBBON CORE (A) S/A	Fig01
5	P40495000	P40495000	SHAFT(SLIDE)	Fig01
6	MD4300622	MD4300622	PAN HEAD SCREW+SW+WL	Fig01,05,12
7	P40494000	P40494000	SPRING(SLIDE)	Fig01
8	R29805000	R29805000	RELEASE BUTTON S/A	Fig01
9	P53002000	P53002000	RELEASE BUTTON COVER	Fig01
10	P53001000	P53001000	RELEASE BUTTON	Fig01
12	P53759000	P53759000	METAL BUSH	Fig02
13	P11461000	P11461000	ONEWAY CLUTCH	Fig02
14	P23172000	P23172000	TORQUE LIMITTER	Fig02/Recommended Spare parts
15	P52962000	P52962000	GEAR C(0_6*81)	Fig02
16	ND0060030	ND0060030	E RING	Fig02
17	P55533000	P55533000	ONE-WAY LIMITTER	Fig02
18	P15203000	P15203000	OILES BEARING	Fig02
19	R29803000	R29803000	RIBBON REWIND S/A	Fig02
20	P53633000	P53633000	SHAFT(RIBBON BOSS)	Fig01
21	ND0080030	ND0080030	E-SNAP RING	Fig01
22	P53006000	P53006000	RIBBON BOSS	Fig01
23	P00626000	P00626010	SPRING(RIBBON BOSS)	Fig01
24	MH0300522	MH0300522	PAN HEAD P TIGHT SCREW	Fig01
25	P53005000	P53005000	DISK PLATE	Fig01
26	MA0300622	MA0300622	PAN HEAD SCREW	Fig01
27	NB0060022	NB0060022	SPRING WASHER	Fig01
28	P53642000	P53642000	RIBBON BOSS SCREW	Fig01
29	R29806000	R29806000	RIBBON UNWIND S/A	Fig02
30	P52952000	P52952000	CENTER FRAME	Fig02
31	MD3300822	MD3300822	PAN HEAD SCREW+SW+WS	Fig02,15
32	P52972000	P52972000	LABEL GUIDE LH(B)	Fig02
33	P53139000	P53139000	SENSOR CASE TENSION	Fig02
34	P53598000	P53598000	PIN(COVER LH)	Fig02
35	P11280010	P11280010	BF STOPPER	Fig02
36	P56412101	P56412101	BF SPRING	Fig02
37	P12267000	P12267000	TORQUE LIMITTER 600g	Fig02/Recommended Spare parts
38	P58289900	P58289900	CASTER	Fig02
39	P53008000	P53008000	RIBBON FRAME	Fig02
40	MD4401022	MD4401022	PAN HEAD SCREW+SW+WL	Fig02,04,06,07,09,10,11,14,15,18,19

CL4NX PRINTER+COMBO SERVICE PARTS LIST

	First_Code	Parts_No (REV.NO)	Description	NOTE
41	R32514101	R32514101	SENSOR CABLE SET-LF (LABEL NEAR END)	Fig08
42	R28363000	R28363000	CL4NX HO RB PCB SET -LF	Fig08/Recommended Spare parts
43	R32763300	R32763300	SENSOR S/A-LF (LABEL NEAR END)	Fig08/Recommended Spare parts
46	MD3300621	MD3300622	PAN HEAD SCREW+SW+WS	Fig05,08,10
47	R27445000	R27445000	HEAD BASE PLATE SET	Fig03
48	P52998000	P52998000	RELEASE PLATE	Fig03
49	P22068000	P22068010	SPRING(RELEASE)	Fig03
50	ND0040030	ND0040030	E SNAP RING	Fig03,04,06,14
51	P52999000	P52999000	HEAD_AJ_KNOB	Fig03
52	P53630000	P53630000	SHAFT(HEAD AJ)	Fig03
53	P52965000	P52965000	HEAD FRAME	Fig03
54	P52982000	P52982000	HEAD PRESSURE KNOB	Fig03
55	P53619000	P53619000	SPRING(HEAD)	Fig03
56	P52983000	P52983000	HEAD PRESSURE ARM	Fig03
57	P53620000	P53620000	SHAFT(ARM)	Fig03
58	P53626000	P53626000	SPRING(HEAD AJ)	Fig03
59	P52991000	P52991000	AJ PLATE(HEAD)	Fig03
60	P53621000	P53621000	SHAFT(HEAD BASE)	Fig03
61	P53627000	P53627000	HEAD AJ SCREW	Fig03
62	R27444000	R27444000	HEAD FRAME LH SET	Fig04
63	P52989000	P52989000	GEAR H(1_25*16)	Fig04
64	P53625000	P53625000	HEAD LOCK SCREW	Fig04
65	P41929000	P41929000	COLLAR(5*6*4.8)	Fig04
66	P52986000	P52986000	HEAD HARNESS COVER	Fig04
67	P52987000	P52987000	SENSOR HOLD SP	Fig04
68	R28432000	R28432000	HEAD POWER CABLE SET-LF	Fig04
69	R28428000	R28428000	HEAD SIGANL CABLE SET-LF	Fig04
70	P52966000	P52966000	HEAD FRAME RH	Fig04
71	P41929000	P41929000	COLLAR(5*6*4.8)	Fig04
72	P53625000	P53625000	HEAD LOCK SCREW	Fig04
73	P53622000	P53622000	SHAFT(HEAD)	Fig04
74	R29801000	R29801000	RIBBON ROLLER S/A	Fig05
76	P52988000	P52988000	AJ PLATE(RIBBON ROLLER)	Fig05
77	P52984000	P52984000	HEAD CLOSE LEVER	Fig05
78	P52985000	P52985000	AJ PLATE(RIBBON)	Fig05
79	P53600000	P53600000	SPRING(HEAD UP)	Fig05
80	NB0050022	NB0050022	SPRING WASHER	Fig05
81	PA0720100	PA0720110	COLLAR (5*16*2.3)	Fig05
82	MN1501030	MN1501030	HEX BOLT	Fig05

CL4NX PRINTER+COMBO SERVICE PARTS LIST

	First_Code	Parts_No (REV.NO)	Description	NOTE
83	P52970000	P52970000	DAMPER BASE	Fig07
84	P53638000	P53638000	SHAFT(DAMPER BASE)	Fig07
85	PA0730300	PA0730320	WASHER (4.2*14*1)	Fig07
86	P53636000	P53636000	SHAFT(DAMPER A)	Fig07
87	P53640000	P53640000	SHAFT(DAMPER B)	Fig07
88	ND0060030	ND0060030	E RING	Fig07
89	ND0020030	ND0020030	E SNAP RING	Fig07
90	P53120000	P53120000	DAMPER HOLDER TOP	Fig07
91	P53121000	P53121000	LABEL GUIDE LEVER	Fig07
92	P53127000	P53127000	LABEL GUIDE RH	Fig07
93	P53123000	P53123000	LABEL GUIDE STOPPER	Fig07
94	M16221000	MH2300822	BIND HEAD P TIGHT SCREW	Fig12,13,18
95	P53145000	P53145000	DAMPER HOLDER UNDER	Fig07
96	P53639000	P53639000	SPRING(DAMPER B)	Fig07
97	ND0030030	ND0030030	E SNAP RING	Fig07
98	P53635000	P53635000	SPRING(DAMPER A)	Fig07
99	P53637000	P53637001	SPRING(DAMPER BASE)	Fig07
100	PA0720100	PA0720110	COLLAR (5*16*2.3)	Fig07
101	P52971000	P52971000	LABEL HOLDER	Fig10
102	P53125000	P53125000	LABEL HOLDER CAP	Fig10
103	MA0400822	MA0400822	PAN HEAD SCREW	Fig10
104	R30543003	R30543003	LABEL HOLDER SUPPORT SET	Fig10
105	P53122000	P53122000	LABEL HOLDER GUIDE RH	Fig10
106	P53113000	P53113000	REAR COVER	Fig10
107	P52964000	P52964000	BASE FRAME	Fig09
108	P11522000	PT6750101	CASE LEG	Fig09 change from PT6750100 28thMay 2019
109	R27611000	R27611000	OPEN COVER TOP SET	Fig18
110	P53599000	P53599000	HINGE PIN(SUB COVER)	Fig18
111	P53103000	P53103000	SUB OPEN COVER	Fig18
112	P52977000	P52977000	CENTER PLATE	Fig09
113	R29783000	R29783000	REAR PANEL LH(SILK)	Fig09
114	R27582000	R27582000	COVER LH SET	Fig19
116	R29789000	R29789000	MOTOR S/A	Fig14
117	MD4400824	MD4400822	PAN HEAD SCREW+SW+WL	Fig14
118	R13541000	R13541000	FG CABLE-195 SET-LF	Fig14
119	MD0400622	MD0400622	PAN HEAD SCREW	Fig14
120	P52963000	P52963000	GEAR/PULLEY(0_6*20/67)	Fig14
121	P44208000	P44208000	TENSION ROLLER	Fig14
122	P53110000	P53110000	REAR OPEN COVER	Fig18

CL4NX PRINTER+COMBO SERVICE PARTS LIST

	First_Code	Parts_No (REV.NO)	Description	NOTE
123	P53111000	P53111000	SUB REAR OPEN COVER	Fig18
124	P52951000	P52951000	FRONT COVER TOP	Fig18
125	P53097000	P53097000	WINDOW	Fig18
126	MV8300030	MV8300030	PUSH NUT	Fig18
127	R27637000	R27637000	GEAR FRAME SET	Fig14
128	R29788000	R29788000	GEAR BRACKET ASSY	Fig14
129	R28429001	R28429001	POWER SUPPLY CABLE SET-LF	Fig11
130	R29211000	R29211000	Power Unit ASSY-LF	Fig11/Recommended Spare parts
131	MD3401022	MD3401022	PAN HEAD SCREW+SW+WS	Fig11
132	P52979000	P52979000	MAIN PCB BR	Fig15
133	P52981000	P52981000	I/F GUIDE RAIL	Fig15
135	P54964000	P54964000	CABLE SADDLE	Fig15
136	JG100141A	JG100141A	NYLON CLAMP	Fig11,14
137	R32241602	R32241602	CLNX-CONT PCB ASSY CL4NX_CL6NX	Fig15/Recommended Spare parts
138	P53128000	P53128000	LABEL HOLDER GUIDE LH	Fig12
139	P53115000	P53115000	USB PCB BR	Fig12
140	R28364000	R28364000	CL4NX USB PCB ASSY -LF	Fig12
141	R28426000	R28426000	USB HOST CABLE SET-LF	Fig12
142	R28425000	R28425000	OPTION CABLE SET-LF	Fig12
143	P53114000	P53114000	CONT PCB BR	Fig12
144	P53096000	P53096000	FRONT COVER UNDER LH	Fig16
145	P52950000	P52950000	FRONT COVER UNDER RH	Fig16
146	R29933000	R29933000	TEAR OFF CUTTER(NON-STICK)	Fig16
147	MD4300522	MD4300522	PAN HEAD SCREW+SW+WL	Fig16
148	MD3401428	MD3401428	PAN HEAD SCREW+SW+WS	Fig16
149	Q04254000	Q04254000	STICKER(TEAR OFF)	Fig16
150	P52954000	P52954000	HEAD LOCK PLATE LH	Fig06
151	P53602000	P53602000	SHAFT(HOOK)	Fig06
152	P52953002	P52953002	ENGINE FRAME	Fig06
153	P52973000	P52973000	LABEL GUIDE LH(F)	Fig06
154	P53616000	P53616000	SPRING(HOOK)	Fig06
155	R30077000	R30077000	MEDIA GUARD(COAT)	Fig06
158	MJ1400524	MJ1400522	HEX SOCKET SET SCREW(W-POINT)	Fig06
161	R29797000	R29797000	HEAD SUB ASSY(8)	Fig16/Recommended Spare parts
162	R29798000	R29798000	HEAD SUB ASSY(12)	Fig16/Recommended Spare parts
163	R29799000	R29799000	HEAD SUB ASSY(24)	Fig16/Recommended Spare parts
170	P54785000	P54785000	IF COVER(STD)	Fig17
171	R29018004	R29018004	CONT FRAME CL4NX (SILK)	Fig13
172	R29808000	R29808000	CONT KEY UNDER(SILK)	Fig13

CL4NX PRINTER+COMBO SERVICE PARTS LIST

	First_Code	Parts_No (REV.NO)	Description	NOTE
173	R29019000	R29019000	CONT KEY TOP(SILK)	Fig13
174	P53112000	P53112000	POWER KEY	Fig13
175	R32707300	R32707300	CLNX KB PCB ASSY-LF (NFC)	Fig13/Recommended Spare parts
176	P55073000	P55073000	OMEGA LOCK	Fig13
177	R32514000	R32514000	KB CABLE SET-LF (BT,NFC)	Fig13
180	P53147000	P53147000	DIS BLIND COVER(RW)	Fig13
181	Q04253000	Q04253000	ROUTE STICKER	Fig18
182	P53118000	P53118000	CONT FRAME SHEET	Fig13
183	QC6524200	QC6524200	STICKER(CAUTION HOT)	Fig03
184	Q04255000	Q04255000	STICKER(CAUTION)	Fig03
185	Q04256000	Q04256000	Quick Guide	Fig20
186	Q01013002	Q01013005	GWP-LEAFLET	Fig20
187	QB2042336	QB2042336	POLYBAG	Fig20
188	R29810000	R29810000	PACKING SET (CL4NX)	Fig20
189	Q04257000	Q04257000	CARTON CASE (PRINT)	Fig20
190	R29829000	R29829000	CUSHION SET (CL4NX)	Fig20
191	Q01791002	Q01791002	POLY BAG(SR/GT)	Fig20
192	P53988000	P53988000	TIMING BELT	Fig14/Recommended Spare parts
193	P53618000	P53618000	SPRING(IDOLE)	Fig14
194	R27442000	R27442000	TENSION BR SET	Fig14
196	R30539000	R30539000	LABEL SENSOR ASSY	Fig08
198	R30540000	R30540000	DAMPER ASSY	Fig07
199	R30541000	R30541000	HEAD LOCK ASSY	Fig06
200	R30311000	R30311001	PLATEN S/A (B)	Fig16/Recommended Spare parts
201	R30542000	R30542005	I/F COVER ASSY	Fig17/Recommended Spare parts
202	R29807006	R29807006	CONTROL PANEL ASSY CL4NX (NFC)	Fig13
203	P53644000	P53644000	RIBBON RELEASE SPRING	Fig01
204	P56083900	P56083900	HEAD SHEET	Fig03
205	MD4301022	MD4301022	PAN HEAD SCREW+SW+WL	Fig04
207	MH0301022	MH0301022	PAN HEAD P TIGHT SCREW	Fig07
208	MD3400622	MD3400622	PAN HEAD SCREW+SW+WS	Fig09
209	Q01069001	Q01069001	SHEET(THUNDER)W110	Fig18
210	P55724000	P55724000	HEAT CONDUCTING PAD	Fig15
211	P55461000	P55461000	SHEET(TEAR OFF)	Fig16
212	R33111100	R33111100	KB CABLE(NON-BT,NFC) SET-LF	Fig13
214	Q04280000	Q04280000	Quick Guide(Chinese)	Fig20
215	Q04281000	Q04281000	Safety Precautions	Fig20
216	P37081000	P37081000	GRIP SHEET	Fig01
217	P53646000	P53646000	MO PULLEY	Fig14

CL4NX PRINTER+COMBO SERVICE PARTS LIST

	First_Code	Parts_No (REV.NO)	Description	NOTE
218	MJ1400524	MJ1400522	HEX SOCKET SET SCREW(W-POINT)	Fig14
220	F05069900	F05069900	PHOTO INTERRUPTER-LF (LABEL NEAR B	Fig10
221	P56500601	P56500601	LABEL SENSOR BR	Fig10
222	R32706600	R32706600	CLNX-NFC ANT ASSY	Fig13
223	P56579900	P56579900	NFC ANTENNA HOLDER	Fig13

Date	Ver	Note	RV NO	CT NO.
	1.0	First Version		
27-May-14	2.0	Change No.200 F/C R29792000 -> F/C R30311000 PLATEN S/A (B)	RV00324	
		Change No.17 F/C P00170000 -> F/C P55533000 ONE WAY LIMITTER		
		Change No.36 F/C P23173000 -> P55995001 BF SPRING		
		Change No.155 F/C P52958000 -> F/C R30077000 MEDIA GURARD(COAT)		
		Add No.199 F/C R30541000 HEAD LOCK ASSY		
		Delete No.156, No.157		
1-Apr-16	3.0	Addition NFC and label near sensor.	RV02921	
		Change No.41 F/C R28433000 -> F/C R32514101 SENSOR CABLE SET-LF LABEL NEAR END SENSOR support.		
		Change No.43 F/C R29791000 -> F/C R32763300 SENSOR S/A-LF LABEL NEAR END SENSOR support.		
		Change No.137 F/C R28329001 -> F/C R32241602 CLNX-CONT PCB ASSY Connectors for FPGA PCB and NFC added.		
		Change No.175 F/C R28339000 -> F/C R32707300 CLNX KB PCB ASSY-LF NFC Module added.		
		Change No.177 F/C R28430000 -> F/C R32514000 KB CABLE (NFC) SET-LF NFC Support.		
		Change No.201 R/C R30542000 -> R/C R30542005 I/F COVER ASSY IEEE1284 Throughput improved.		
		Change No.202 F/C R29807000 -> F/C R29807003 CONTROL PANEL ASSY (NFC) NFC Module added.		
		Add F/C F05069900 PHOTO INTERRUPTER-LF LABEL NEAR END SENSOR support.		
		Add F/C P56500601 LABEL SENSOR BR LABEL NEAR END SENSOR support.		
		Add F/C R32706600 CLNX-NFC ANT ASSY NFC Support.		
		Add F/C P56579900 NFC ANTENNA HOLDER NFC Support.		
30-Aug-16	4.0	Change No.104 F/C P53124000-> F/C R30543003 LABEL HOLDER SUPPORT	RV04225	
		Change No.152 F/C P52953000 ->F/C P52953002 ENGINE FRAME	RV13-689	
11-Nov-16	5.0	Change No.212 F/C R30254000-> F/C R33111100 KB CABLE(NON-BT,NFC) SET-LF	RV02921	
		Delete No.219 F/C:R32707200 CLNX KB PCB SUB ASSY	RV02921	
		Change No.171 F/C R29018003-> F/C R29018004 CONT FRAME(SILK)	RV19426	
		Change No.202 F/C R29807003-> F/C R29807006 CONTROL PANEL ASSY (NFC)	RV19426	
		Add No.224 P56208700 LABEL GUIDE LH(DAMPER)	-	
		Add No.225 MA1300622 FLAT HEAD SCREW	-	
		Add No.226 PC9730100 SPRING(LOCK)	RV25065	
21-Nov-16	5.1	SEG Added, No.227 P55627001 SENSOR TENSION(RFID)		
3-Apr-17	5.2	SEG Added, No.228 MH0300821, PAN HEAD P TIGH SCREW	RV03309	
		SEG Added, No.229 NA1030022, PLAIN WASHER	RV03309	
		SEG Added, No.230 P56483100, LABEL HOLDER GUIDE RH SP	RV03309	
19-Dec-16	6.0	Change No.36 F/C P55995000-> F/C P56412100 BF SPRING	RV24706	
		Change No.37 F/C P13953000-> F/C P12267000 TORQUE LIMITER	RV24706	CT-1H16C02
		Change No.38 F/C MA0200822-> F/C P58289900 CASTER	RV24706	
10-Oct-18	6.1	Change No.36 F/C P55995000-> F/C P56412101 BF SPRING		
28-May-19	6.2	Change No.108 F/C PT6750100-> F/C P11522000		