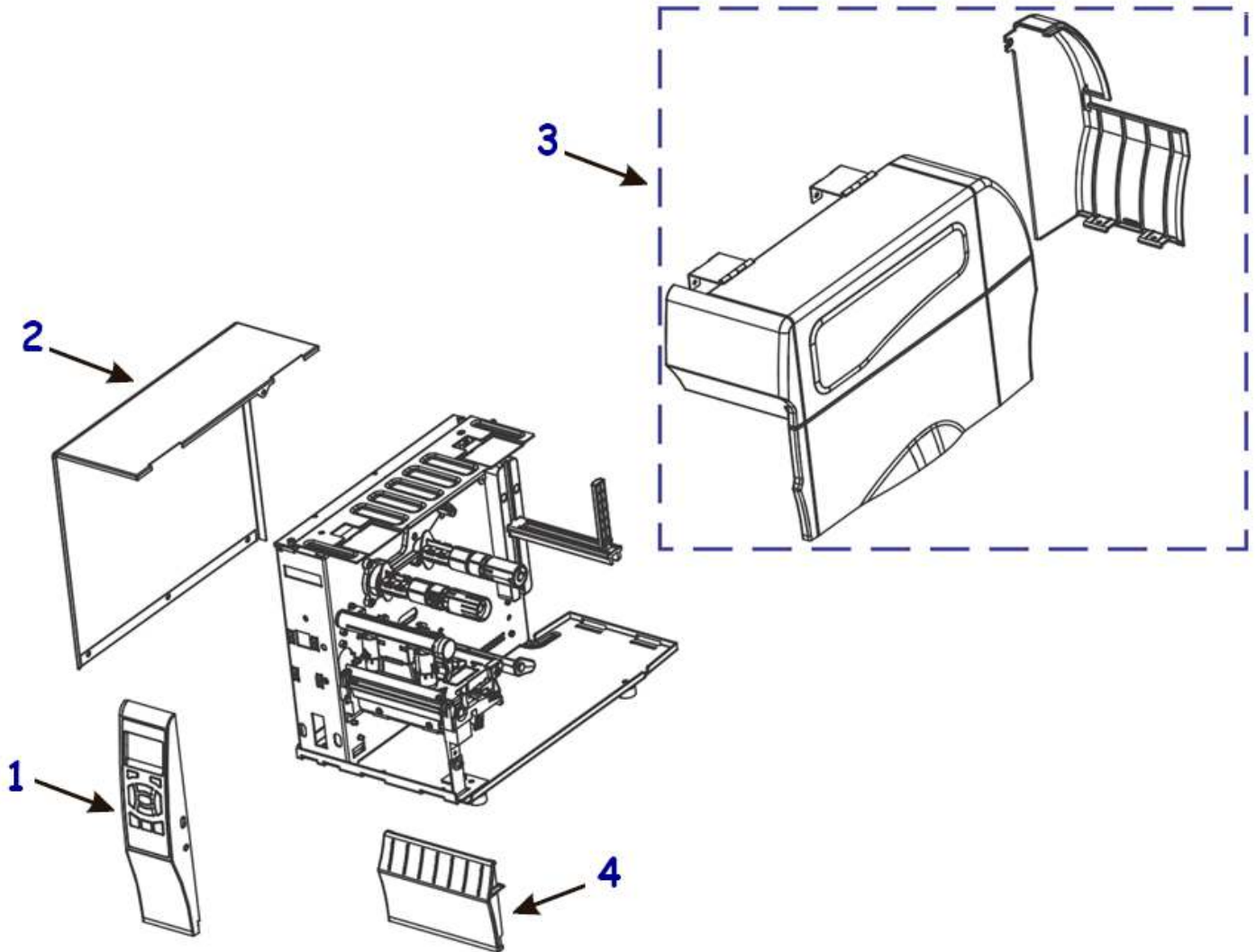
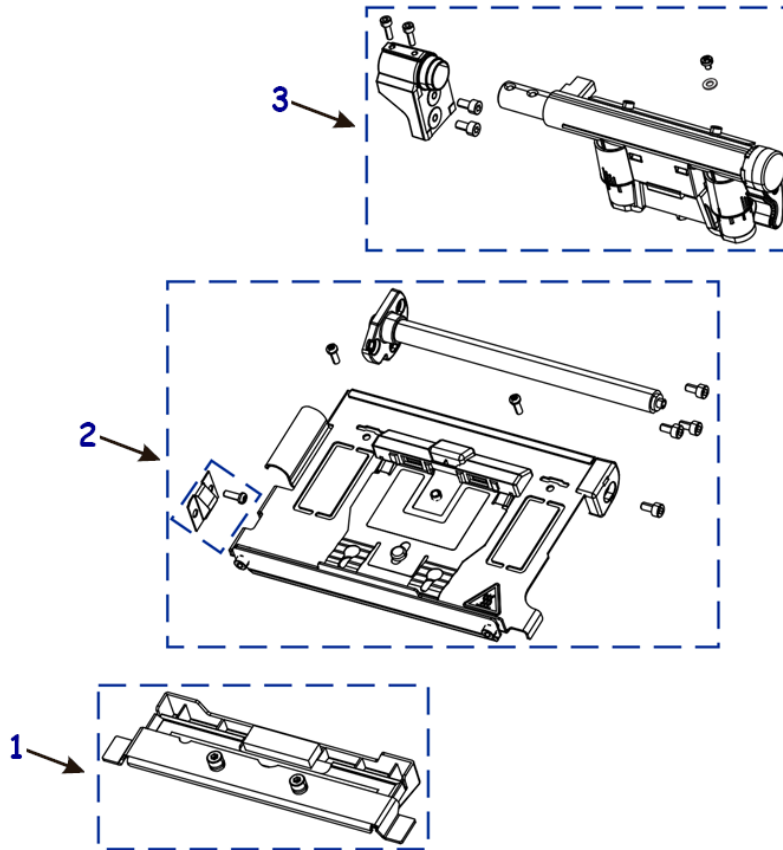


Outer Casing Components



Item Number	Description	Part Number	Quantity
1	Control Panel ZT230	P1037974-031	1
1	Control Panel ZT220	P1037990-002	1
1	Control Panel ZT210	P1037991-001	1
2	Electronics Cover ZT230 or ZT210	P1037974-034	1
2	Electronics Cover ZT220	P1037990-005	1
3	Media Cover ZT230	P1037974-032	1
3	Media Cover ZT220	P1037990-003	1
3	Media Cover ZT210	P1037991-002	1
4	Front Lower Panels ZT230 (includes tear and peel panels)	P1037974-033	1
4	Front Lower Panels ZT220 or ZT210 (includes tear and peel panels)	P1037990-004	1
	Media Window ZT230 or ZT210 only (not applicable to ZT220)	P1037974-049	1

Print Mechanism Components

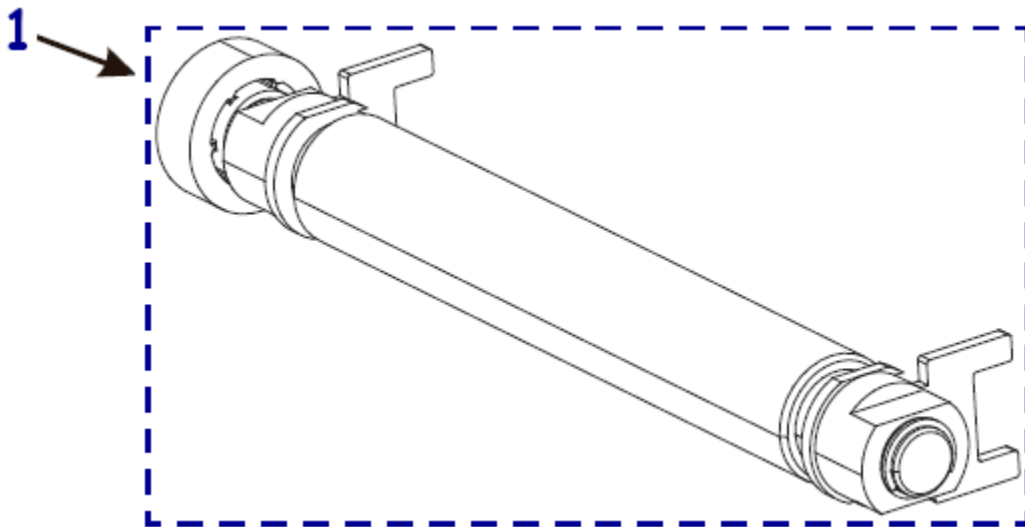


Item Number	Description	Part Number	Quantity
1	Printhead 203 dpi ZT200 Series	P1037974-010	1
1	Printhead 300 dpi ZT200 Series	P1037974-011	1
2	Thermal Transfer Print Mechanism ZT200 Series (includes ribbon sensor with cable, printhead cables and ground contact)	P1037974-013	1
2	Direct Thermal Print Mechanism ZT200 Series (includes printhead cables and ground contact)	P1037974-056	1
3	Toggle Bar ZT200 Series	P1037974-014	1
	Ribbon Strip Plate and Ribbon Static Brush ZT200 Series	P1037974-066	1
	Ground Contact ZT200 Series	P1037974-015	1

Printhead dpi conversion kits

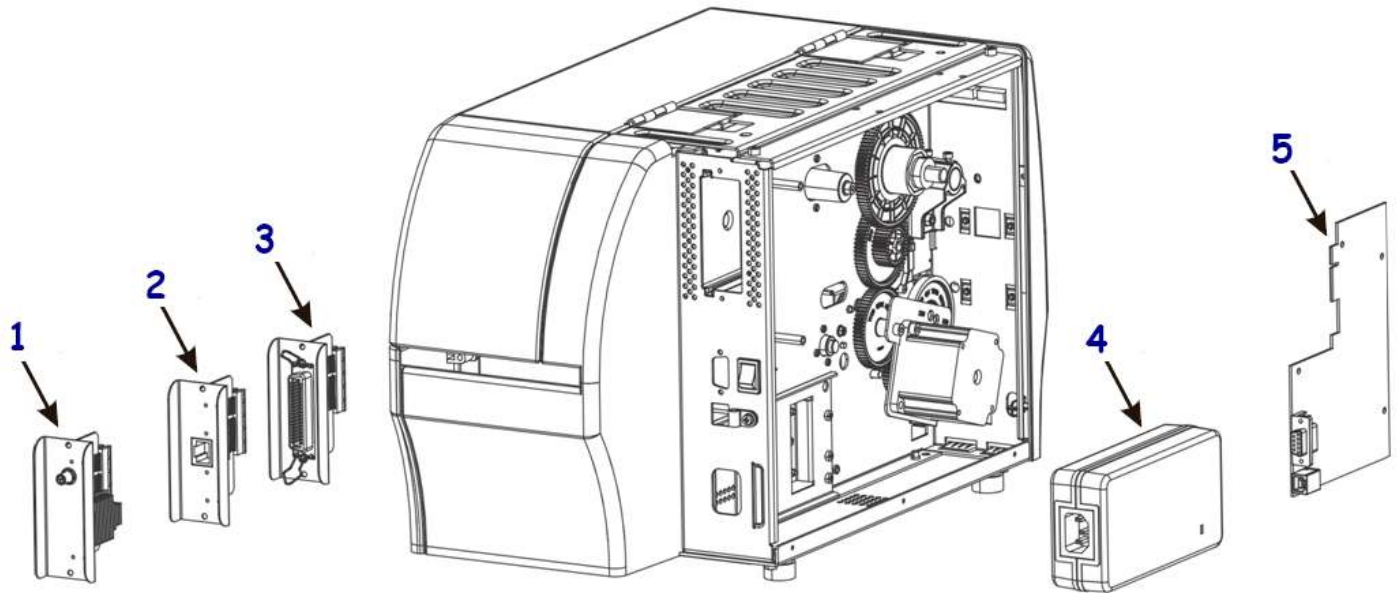
Item Number	Description	Part Number	Quantity
	Convert 203 dpi to 300 dpi ZT200 Series	P1037974-005	1
	Convert 300 dpi to 203 dpi ZT200 Series	P1037974-006	1

Platen Roller



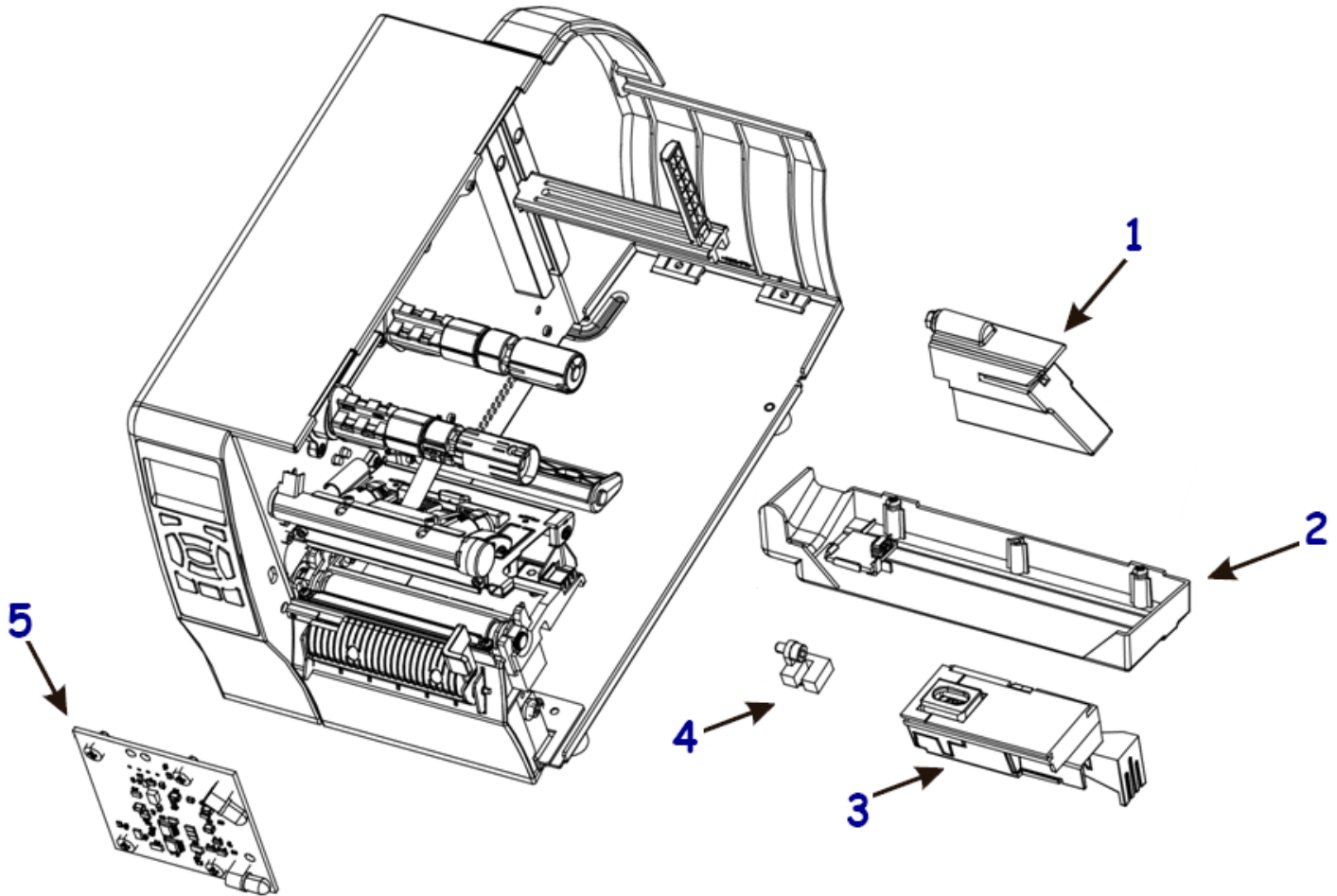
Item Number	Description	Part Number	Quantity
1	Platen Roller ZT200 Series	P1037974-028	1

Electronic Components



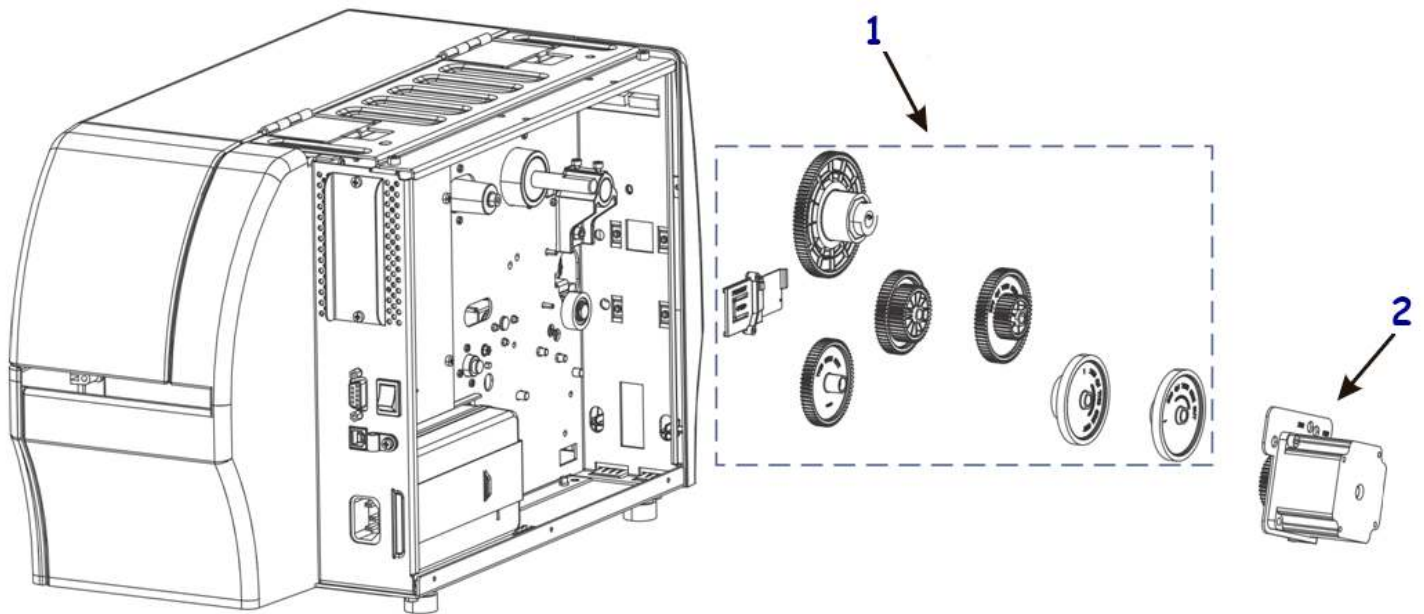
Item Number	Description	Part Number	Quantity
1	ZebraNet Internal Wireless 802.11 n radio ZT200 Series USA & Canada	P1058930-097A	1
1	ZebraNet Internal Wireless 802.11 n radio ZT200 Series Japan	P1058930-097B	1
1	ZebraNet Internal Wireless 802.11 n radio ZT200 Series For all countries except USA, Canada or Japan.	P1058930-097C	1
2	Internal Printserver (Ethernet port) ZT200 Series	P1037974-001	1
3	Parallel Port ZT200 Series	P1037974-002	1
4	Power Supply ZT200 Series	P1037974-065	1
5	Main Logic Board ZT200 Series	P1037974-017	1
	Real Time Clock PCB ZT200 Series	P1037974-004	1
	Power Switch ZT200 Series	P1037974-019	1
	Securing Brackets for the older design Power Supply ZT200 Series	P1037974-043	1
	Replacement Antenna for 802.11n Radio	P1037974-053	1
	Electronics Cables for Cutter & LTU options	P1037974-020	1
	USA Power Cord	46693	1
	Europe Power Cord	46629	1
	UK Power Cord	46637	1
	Japan Power Cord	37609	1
	China Power Cord	47612	1

Sensors



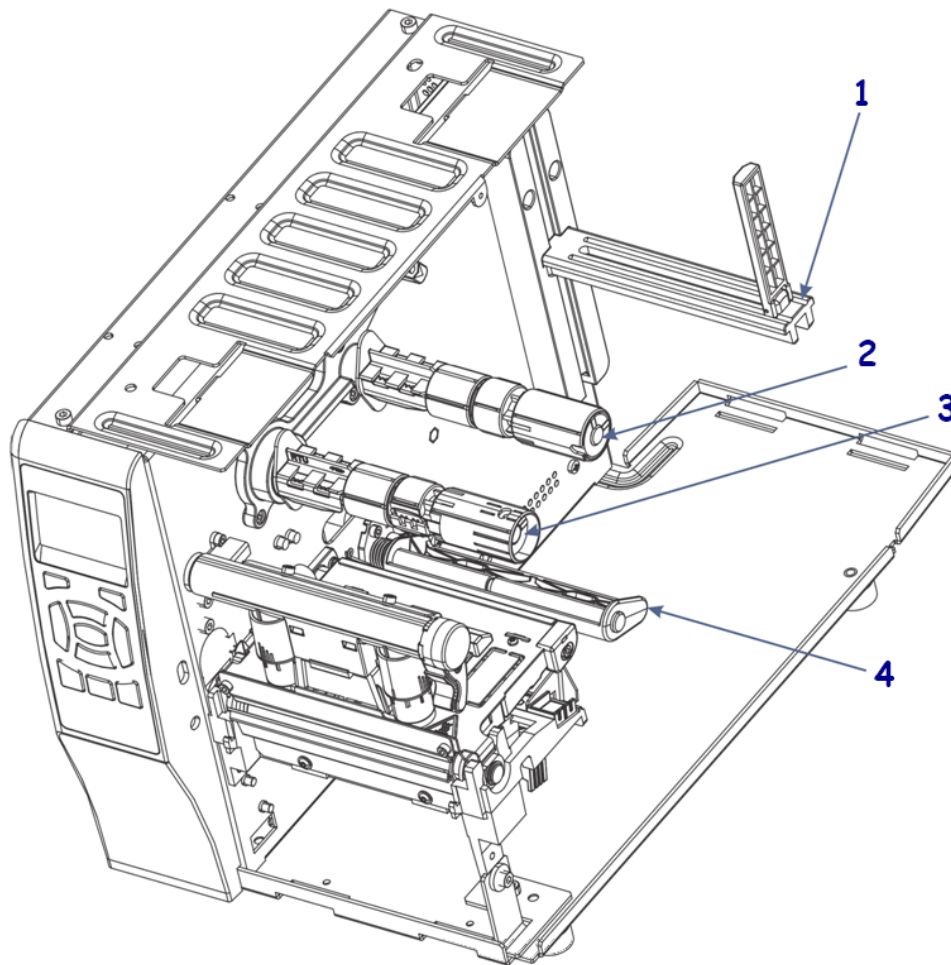
Item Number	Description	Part Number	Quantity
1	Media Sensor ZT200 Series	P1037974-021	1
2	Ribbon Sensor ZT200 Series	P1037974-023	1
3	Reflective Sensor (Black Mark Sensor) ZT200 Series	P1037974-022	1
4	Head Open Sensor ZT200 Series	P1037974-025	1
5	Take Label Sensor ZT200 Series	P1037974-024	1

Drive System Components



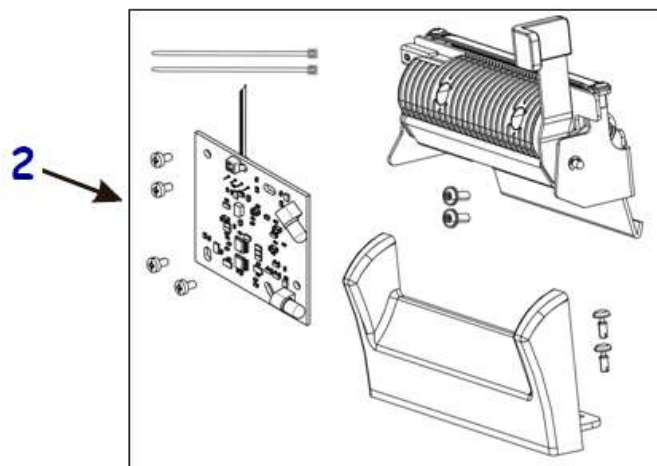
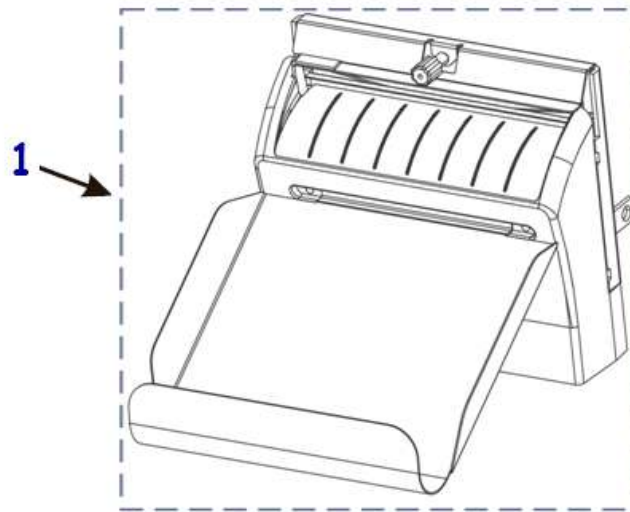
Item Number	Description	Part Number	Quantity
1	Drive Gears ZT200 Series (includes gears for 203 dpi and 300 dpi) only for serial numbers less than 52J141101521	P1037974-029	1
1	Drive Gears ZT200 Series (includes gears for 203 dpi and 300 dpi) only for serial numbers greater than 52J141101521	P1037974-061	1
2	Drive Motor for 203 dpi and 300 dpi ZT200 Series only for serial numbers less than 52J141101521	P1037974-030	1
2	Drive Motor for 203 dpi and 300 dpi ZT200 Series only for serial numbers greater than 52J141101521	P1037974-062	1

Media Path Components



Item Number	Description	Part Number	Quantity
1	Media Hanger ZT200 Series	P1037974-027	1
2	Ribbon Supply Spindle ZT200 Series	P1037974-050	1
3	Ribbon Take Up Spindle ZT200 Series	P1037974-051	1
4	Media Dancer ZT200 Series	P1037974-057	1
	Outer Media Guide ZT200 Series	P1037974-016	1
	Tear Bar ZT200 Series	79837M	1
	Cardboard Cores for Ribbon Spindles (Qty 2)	P1037974-012	2
	Entire Ribbon System ZT230. This includes the bearing support and both ribbon spindles. The drive gears connecting the spindles to the motor are NOT included in this kit.	P1037974-026	1
	Entire Ribbon System ZT220 or ZT210. This includes the bearing support and both ribbon spindles. The drive gears connecting the spindles to the motor are NOT included in this kit.	P1037990-001	1
	Housing for Platen Roller ZT200 Series (includes both media guides)	P1037974-059	1

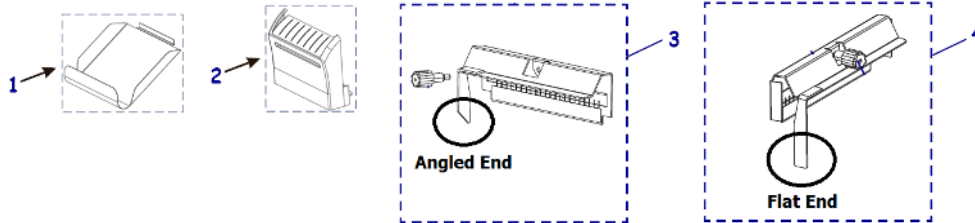
Media Handling Options



Item Number	Description	Part Number	Quantity
1	Cutter Option ZT200 Series	P1037974-069	1
2	Peel Option ZT200 Series	P1037974-008	1

Replacement Components for Media Handling Options:

Cutter Components

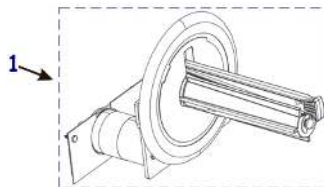


Item Number	Description	Part Number	Quantity
1	Catch Tray for Cutter ZT200 Series	P1037974-037	1
2	Cutter Cover with PCBA ZT200 Series. This item is only for replacing PCBA part number P1059429-01 or cutter cover part number P1033104	P1037974-064	1
2	Cutter Cover with PCBA for Cutter ZT200 Series. This item is only for replacing PCBA part number P1059429-11 or cutter cover part number P1033104.	P1037974-070	1
3	Replacement Static Brush & Cutter Guard with the Angled End Sensor Flag. Order this replacement item if the printer currently has an Angled End cutter guard installed.	P1037974-036	1
4	Replacement Static Brush & Cutter Guard with the Flat End Sensor Flag. Order this replacement item if the printer currently has a Flat End cutter guard installed.	P1066612	1

Peel Components

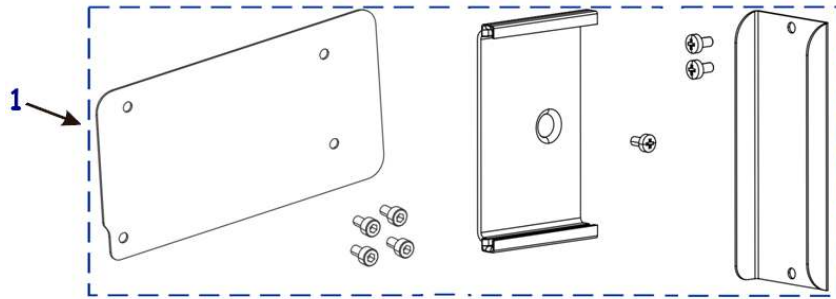
Item Number	Description	Part Number	Quantity
1	Peel Unit ZT200 Series	P1037974-067	1
	Roller for Peel Unit ZT200 Series	P1037974-039	1

Liner Take-Up (LTU) Components



Item Number	Description	Part Number	Quantity
1	Replacement LTU PCB with Drive Motor and Spindle ZT230 only	P1037974-040	1
	Door for LTU (Liner Take Up) ZT230 only	P1037974-054	1

Covers and Packaging



Item Number	Description	Part Number	Quantity
1	Covers/Mounts for Options ZT200 Series	P1037974-041	1
	Top Plate (Electronics Structural Cover) ZT200 Series	P1037974-042	1
	Assorted Hardware ZT200 Series (various screws, washers, cable ties, etc.. used throughout the printer)	P1037974-044	1
	Feet on bottom of printer (Qty 20) ZT200 Series	P1011215	20

Packaging Materials for Printer Shipping

Item Number	Description	Part Number	Quantity
	Packaging for ZT230 or ZT210 (Qty 1)	P1037974-045	1
	Packaging for ZT230 or ZT210 (Qty 8)	P1037974-046	8
	Packaging for Liner Take Up Versions of ZT230 (Qty 1)	P1037974-058	1
	Packaging for ZT220 (Qty 1)	P1037990-018	1
	Packaging for ZT220 (Qty 8)	P1037990-019	8