

# TOSHIBA

TOSHIBA Barcode Printer

## B-EX6 SERIES

### Parts List

Document No. SPTM-0291/EO8-33035S

Original **SEP., 2016**  
(Revised **JUN., 2019**)

Minimum Order Quantity (MOQ) column has been added to this Parts List.  
Please order the MOQ or the multiples of the MOQ per order .  
Regarding the parts with two asterisks (\*\*) entered in this column, over 4-month lead time may be required because a quotation of the unit price and the MOQ is requested at the receipt of order.

**Toshiba Tec Corporation**

PRINTED IN JAPAN

## TABLE OF CONTENTS

<b>PARTS LIST</b>		<b>Page</b>
1.	EXTERIOR PARTS	1-1
2.	INTERIOR PARTS (1)	2-1
3.	INTERIOR PARTS (2)	3-1
4.	INTERIOR PARTS (2)	4-1
5.	Circlr cutter module (B-EX206-QM-R)	5-1
6.	Pell off module (B-EX904-H-QM-R)	6-1
7.	RFID module (B-EX700-U4)	7-1
8.	Rotary cutter module (B-EX206-R-QM-S)	8-1
30.	OPTIONS	30-1

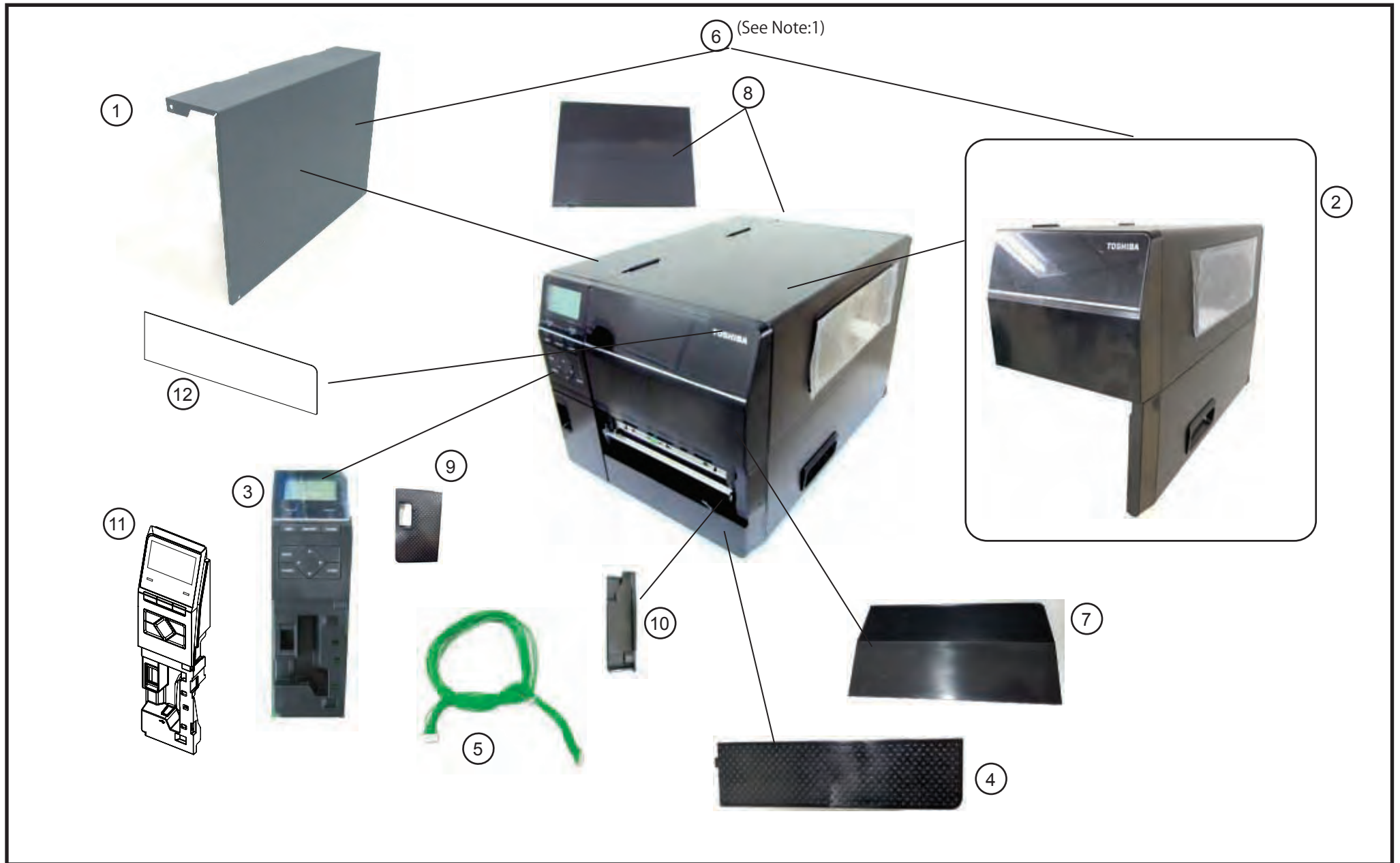
### **CAUTION!**

- 1. This manual may not be copied in whole or in part without prior written permission of Toshiba Tec Corporation.*
- 2. The contents of this manual may be changed without notification.*
- 3. Please refer to your local Authorised Service representative with regard to any queries you may have in this manual.*



# 1. EXTERIOR PARTS

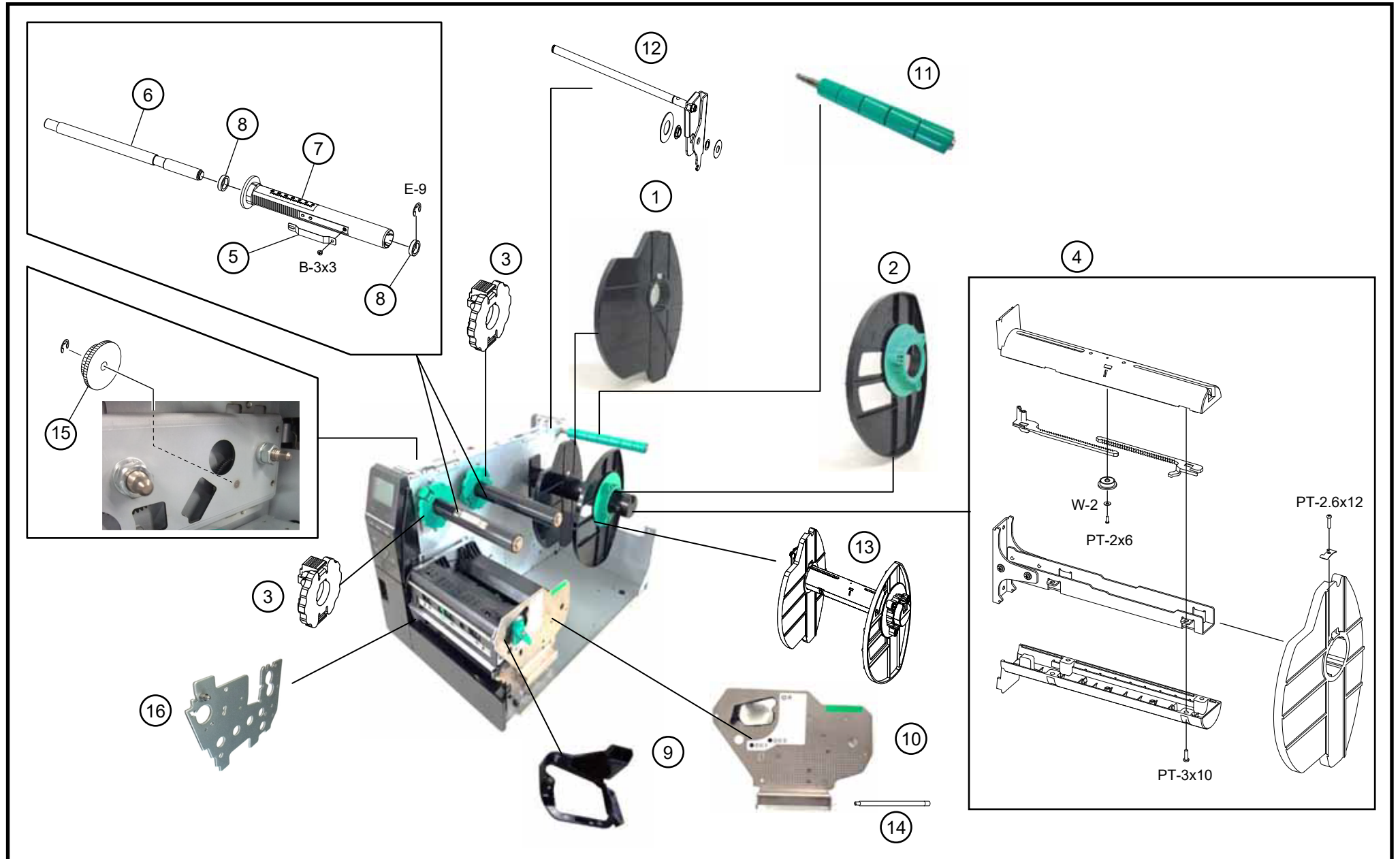
B-EX6 Series SEP., 2016





## 2. INTERIOR PARTS (1)

B-EX6 Series SEPT., 2016  
(Revision Date: Feb 6, 2018)



## 2. INTERIOR PARTS (1)

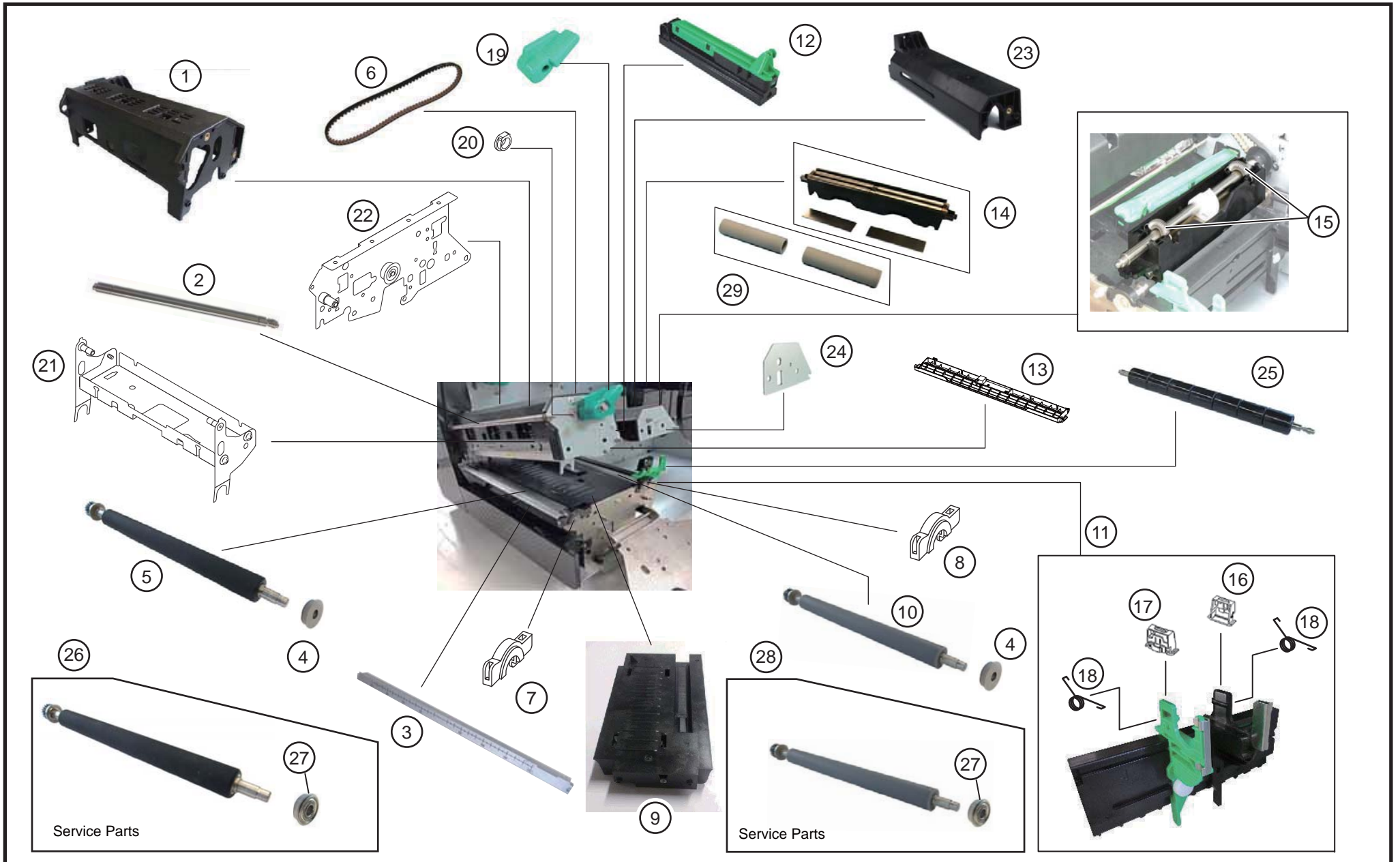
E08-33035  
B-EX6 Series SEP., 2016  
(Revision Date: Feb., 2018)

Ref. No.	Part No.	Description	Remarks	MOQ	A	B	C	D	E	F	G	H	I	J	K	L	M	Recommended Parts
2-1	FMHE0009801	SUPPLY HOLDER FRU (ROHS)	same as B-EX4T		1	1	1	1	1	1	1	1	1	1	1	1	1	
2-2	FMBC0085001	SUPPLY HOLDER R B ASSY FRU (ROHS)	same as B-EX4T		1	1	1	1	1	1	1	1	1	1	1	1	1	
2-3	0TSBC0176901F	ASYB EX4T3 RBN FLANGE FRU (ROHS)			2	2	2	2	2	2	2	2	2	2	2	2	2	
2-4	TBD	SUPPLY HOLDER L ASSY FRU (ROHS)			4	4	4	4	4	4	4	4	4	4	4	4	4	
2-5	FMQB0036201	Ribbon Holder Stopper FRU (ROHS)	same as B-EX4T		2	2	2	2	2	2	2	2	2	2	2	2	2	
2-6	0TSDC0056204F	EX6T1-SF-RBN-DRIVE FRU (ROHS)			2	2	2	2	2	2	2	2	2	2	2	2	2	
2-7	0TSCC0312401F	ASYS-EX6T1-RBN-WIND-CORE FRU (ROHS)			1	1	1	1	1	1	1	1	1	1	1	1	1	
2-8	0TSQC0212301F	EX6T1-RBN-BEARING FRU (ROHS)			4	4	4	4	4	4	4	4	4	4	4	4	4	
2-9	0TSHC0101402F	EX4T1 MO LOCK LEVER GUIDE FRU (ROHS)	same as B-EX4T		1	1	1	1	1	1	1	1	1	1	1	1	1	
2-10	TBD	ASYB-EX6T-DRV-HOLDER (QM) FRU	EX6 JP / QM		1	1	1	1	1	0	0	0	0	0	0	0	0	
	0TSBC0225501F		Added: 9/17															
	TBD	ASYB-EX6T-DRV-HOLDER (CN) FRU	EX6 CN		0	0	0	0	0	1	1	1	1	1	1	1	1	
	0TSBC0225601F		Added: 9/17															
2-11	TBD	ASYB-PAPER-DAMPER-EX6T FRU			1	1	1	1	1	1	1	1	1	1	1	1	1	
	0TSBC0225701F		Added: 9/17															
2-12	7FM06979000	PAPER-DAMPER-ARM-6T-ASSY FRU (ROHS)			1	1	1	1	1	1	1	1	1	1	1	1	1	
2-13	7FM06982000	SUPPLY-HOLDER-6T-ASSY FRU (ROHS)			1	1	1	1	1	1	1	1	1	1	1	1	1	C
2-14	0TSDC0044001F	EX4T1_SF_DRV_HLDER FR	Added: 5/17		1	1	1	1	1	1	1	1	1	1	1	1	1	
2-15	FMHB0018201	IDLE GEAR (ROHS)	Added: 1/18		1	1	1	1	1	1	1	1	1	1	1	1	1	
2-16	0TSCC0196503F	ASYS EX4T1 PT FEED FRM L AK FRU	Added: 2/18		1	1	1	1	1	1	1	1	1	1	1	1	1	

A: 6T1-TS15-R B: 6T1-GS12-QM-R C: 6T1-TS12-QM-R D: 6T3-GS12-QM-R E: 6T3-TS12-QM-R F: 6T1-GS12-CN-R G: 6T1-GS16-CN-R  
H: 6T1-GS18-CN-R I: 6T1-TS12-CN-R J: 6T1-TS16-CN-R K: 6T1-TS18-CN-R L: 6T3-GS12-CN-R M: 6T3-TS12-CN-R

### 3. INTERIOR PARTS (2)

B-EX6 Series SEP., 2016  
(Revision Date: Apr., 2019)





### 3. INTERIOR PARTS (2)

E08-33035  
B-EX6 Series SEP., 2016  
(Revision Date: Apr., 2019)

Ref. No.	Part No.	Description	Remarks	MOQ	A	B	C	D	E	F	G	H	I	J	K	L	M	Recommended Parts
3-1	0TSCC0311801F	ASYS-EX6T1-PRINT-ENG-COV FRU (ROHS)			1	1	1	1	1	1	1	1	1	1	1	1	1	
3-2	0TSDC0056001F	EX6T1-SF-RBN-GUIDE FRU (ROHS)			32	32	32	32	32	32	32	32	32	32	32	32	32	
3-3	<del>07FM06980000F</del> 7FM06980000	PEEL-OFF-BAR-6T FRU (ROHS)	Changed: 5/17		1	1	1	1	1	1	1	1	1	1	1	1	1	
3-4	0TSQB0127901F	EX4T1 BUSH PLATEN A FRU (ROHS)	same as B-EX4T		4	4	4	4	4	4	4	4	4	4	4	4	4	
3-5	<del>07FM06974000F</del> 7FM06974000	PLATEN-ROLLER-6T-ASSY FRU (ROHS)	Changed: 5/17		1	1	1	1	1	1	1	1	1	1	1	1	1	B
	7FM06974100	PLATEN-ROLLER-6T-ASSY FRU (ROHS) new	Changed: 12/17 (NOTE1)		1	1	1	1	1	1	1	1	1	1	1	1	1	B
3-6	0TSQC0139402F	EX4T1 PNCH RLR BELT FRU (ROHS)			1	1	1	1	1	1	1	1	1	1	1	1	1	
3-7	<del>07FM00102000F</del> 7FM00102000	HLDR-PLATEN-SX FRU (ROHS)	same as B-EX4T Changed: 5/17		1	1	1	1	1	1	1	1	1	1	1	1	1	
3-8	07FM00055100F	Feed Roller Holder	same as B-EX4T		1	1	1	1	1	1	1	1	1	1	1	1	1	
3-9	0TSCC0311601F	ASYS-EX6T1-FEED-FRM-TOP FRU (ROHS)			1	1	1	1	1	1	1	1	1	1	1	1	1	
3-10	<del>07FM06975000F</del> 7FM06975000	PINCH-ROLLER-LOW-6T-ASSY FRU (ROHS)	Changed: 5/17		1	1	1	1	1	1	1	1	1	1	1	1	1	B
3-11	<del>07FM06981000F</del> 7FM06981000	PAPER-GUIDE-6T-ASSY FRU (ROHS)	Changed: 5/17		1	1	1	1	1	1	1	1	1	1	1	1	1	B
3-12	<del>07FM07005000F</del> 7FM07005000	MEDIA-SENSOR-6T-ASSY FRU (ROHS)	Changed: 5/17		1	1	1	1	1	1	1	1	1	1	1	1	1	B
3-13	<del>07FM06978000F</del> 7FM06978000	RBN-SENSOR-6T-ASSY FRU (ROHS)	Changed: 5/17		1	1	1	1	1	1	1	1	1	1	1	1	1	B
3-14	<del>07FM06976000F</del> 7FM06976000	PINCH-ROLLER-UP-6T-ASSY FRU (ROHS)	Changed: 5/17		1	1	1	1	1	1	1	1	1	1	1	1	1	E
	7FM07614000	PNCH-RLR-EX6T-NON-RUBR	Changed: 4/19															
3-15	0TSKB0046701F	EX4T2 SPG RLR PNCH UP (A)	same as B-EX4T		2	2	2	2	2	2	2	2	2	2	2	2	2	
3-16	0TSHC0101503F	EX4T1 MO GUIDE SUPPORT L FRU (ROHS)	same as B-EX4T		1	1	1	1	1	1	1	1	1	1	1	1	1	
3-17	0TSHC0100903F	EX4T1 MO GUIDE SUPPORT R FRU (ROHS)	same as B-EX4T		1	1	1	1	1	1	1	1	1	1	1	1	1	
3-18	0TSKB0048603F	EX4T1 SPG GUIDE SUPPORT FRU (ROHS)	same as B-EX4T		2	2	2	2	2	2	2	2	2	2	2	2	2	
3-19	<del>07FM00144000F</del> 7FM00144000	Print Head Lever	same as B-EX4T Changed: 5/17		1	1	1	1	1	1	1	1	1	1	1	1	1	
3-20	0TSQB0016801F	METAL CAM FRU (ROHS)	same as B-EX4T		2	2	2	2	2	2	2	2	2	2	2	2	2	
3-21	0TSBC0202101F	ASYB-EX6T1-BASE-HEAD FRU (ROHS)			1	1	1	1	1	1	1	1	1	1	1	1	1	
3-22	0TSCC0312101F	ASYS-EX6T1-PRINT-ENG-BASE FRU (ROHS)			1	1	1	1	1	1	1	1	1	1	1	1	1	
3-22	0TSCC0312101F	ASYS-EX6T1-PRINT-ENG-BASE FRU (ROHS)			1	1	1	1	1	1	1	1	1	1	1	1	1	
3-23	7FM07150000F	PINCH-ROLLER-UP-COV-6T	Added: 5/17		1	1	1	1	1	1	1	1	1	1	1	1	1	
3-24	0TSEC0120905F	EX4T1 PT COV PNCH SID FRU (ROHS)	Added: 3/18		1	1	1	1	1	1	1	1	1	1	1	1	1	

A: 6T1-TS15-R B: 6T1-GS12-QM-R C: 6T1-TS12-QM-R D: 6T3-GS12-QM-R E: 6T3-TS12-QM-R F: 6T1-GS12-CN-R G: 6T1-GS16-CN-R  
H: 6T1-GS18-CN-R I: 6T1-TS12-CN-R J: 6T1-TS16-CN-R K: 6T1-TS18-CN-R L: 6T3-GS12-CN-R M: 6T3-TS12-CN-R

### 3. INTERIOR PARTS (2)

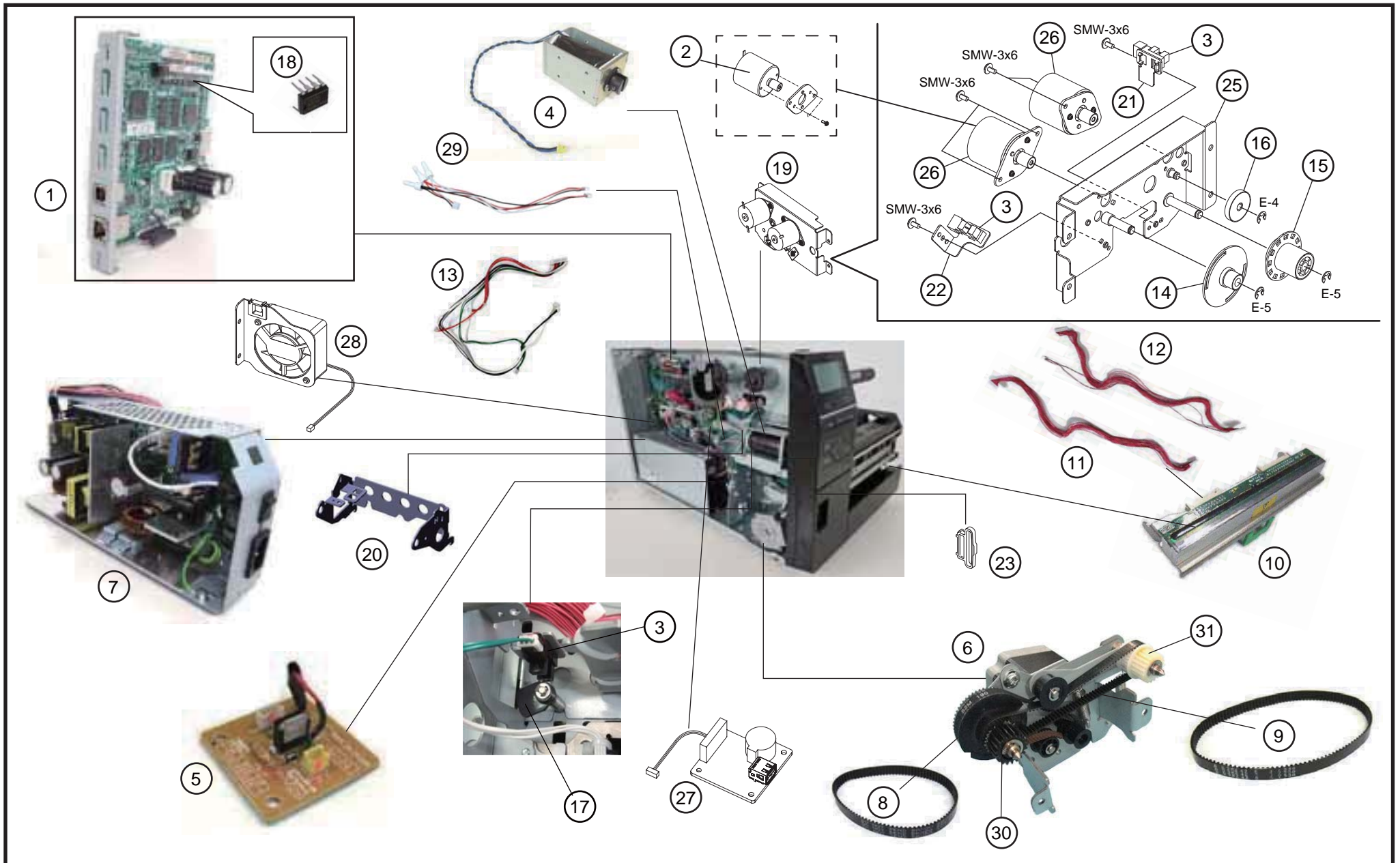
E08-33035  
 B-EX6 Series SEP., 2016  
 (Revision Date: Apr., 2019)

Ref. No.	Part No.	Description	Remarks	MOQ	A	B	C	D	E	F	G	H	I	J	K	L	M	Recommended Parts
3-25	0TSBC0200701F	ASYB-EX6T1-GUIDE-RLR-FRU	Added: 8/18		1	1	1	1	1	1	1	1	1	1	1	1	1	
3-26	7FM07376000	ASYB-PLATEN-RLR-6T-BRG FRU	Service part, Added: 10/18		(1)	(1)	(1)	(1)	(1)	(1)	(1)	(1)	(1)	(1)	(1)	(1)	(1)	
3-27	F0-00905000	Bearing RNR-1760X2ZZ	Service part, Added: 10/18		-	-	-	-	-	-	-	-	-	-	-	-	-	
3-28	<del>7FM07376000</del> 7FM07397000	ASYB-PINCH-RLR-6T-BRG FRU	Service part, Added: 10/18		(1)	(1)	(1)	(1)	(1)	(1)	(1)	(1)	(1)	(1)	(1)	(1)	(1)	
3-29	7FM07615000	PINCH-BELT-RLR-EX6T	Added: 4/19		1	1	1	1	1	1	1	1	1	1	1	1	1	

A: 6T1-TS15-R B: 6T1-GS12-QM-R C: 6T1-TS12-QM-R D: 6T3-GS12-QM-R E: 6T3-TS12-QM-R F: 6T1-GS12-CN-R G: 6T1-GS16-CN-R  
 H: 6T1-GS18-CN-R I: 6T1-TS12-CN-R J: 6T1-TS16-CN-R K: 6T1-TS18-CN-R L: 6T3-GS12-CN-R M: 6T3-TS12-CN-R

# 4. INTERIOR PARTS (3)

B-EX6 Series SEPT., 2016  
(Revision Date: Apr., 2019)



## 4. INTERIOR PARTS (3)

E08-33035  
B-EX6 Series SEP., 2016  
(Revision Date: Apr., 2019)

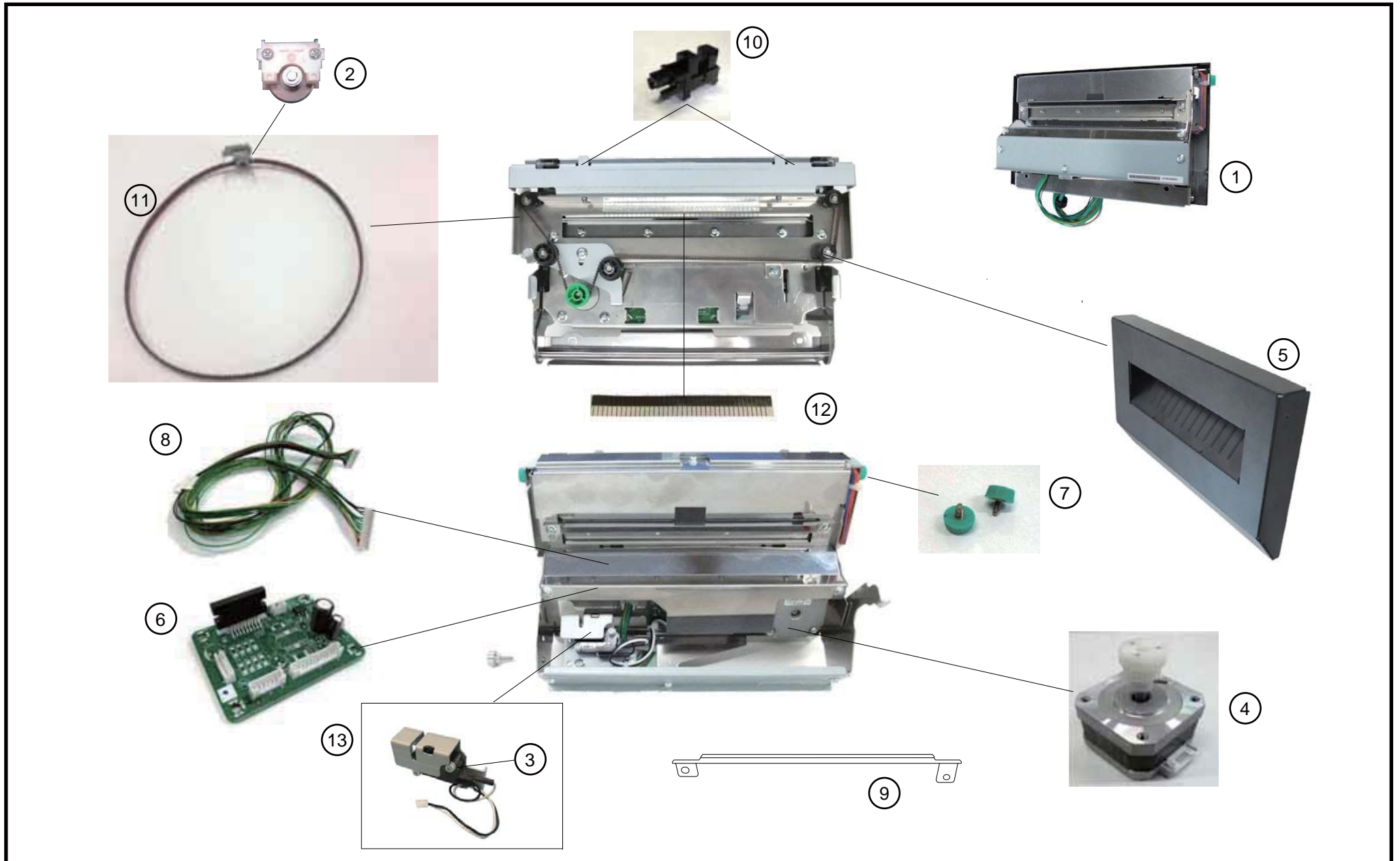
Ref. No.	Part No.	Description	Remarks	MOQ	A	B	C	D	E	F	G	H	I	J	K	L	M	Recommended Parts
4-1	7FM06985000	MAIN-PC-BOARD-6T-ASSY FRU (ROHS)	EX6T1		1	1	1	0	0	1	1	1	1	1	1	0	0	E
	7FM07064000	MAIN-PC-BOARD-6T3-ASSY FRU (ROHS)	EX6T3		0	0	0	1	1	0	0	0	0	0	0	1	1	E
4-2	0TSCB0238702F	B-EX MOTOR ASSY AK FRU (ROHS)			2	2	2	2	2	2	2	2	2	2	2	2	2	D
4-3	C0-16141000	Slit Sensor GP1S173LCS2F	same as B-EX4T		3	3	3	3	3	3	3	3	3	3	3	3	3	B
4-4	7FM01215000	Ribbon save magnet Ass'y (with harness)	same as B-EX4T		2	2	2	0	0	2	2	2	2	2	2	0	0	D
4-5	0TSCB0244102F	Ribbon save magnet CNT PC Board Ass'y	same as B-EX4T		2	2	2	0	0	2	2	2	2	2	2	0	0	D
4-6	7FM06987000	STEPPING-MOTOR-6T-ASSY FRU (ROHS)			1	1	1	1	1	1	1	1	1	1	1	1	1	E
4-7	7FM06988000	PS-UNIT-6T-ASSY FRU (ROHS)			1	1	1	1	1	1	1	1	1	1	1	1	1	E
4-8	0TSQC0139503F	Timing belt (60S2M190U)	same as B-EX4T		1	1	1	1	1	1	1	1	1	1	1	1	1	B
4-9	0TSQC0139504F	EX4T1 FEED BELT FRU (ROHS)			1	1	1	1	1	1	1	1	1	1	1	1	1	B
4-10	7FM07063000	PRINT-HEAD-6T-203DPI FRU (ROHS)	EX6T1-203		0	1	0	0	0	1	1	1	0	0	0	0	0	A
	7FM07063100	PRINT-HEAD-6T-203DPI FRU (ROHS) new	Changed: 12/17 (NOTE1)		0	1	0	0	0	1	1	1	0	0	0	0	0	A
	7FM06977000	PRINT-HEAD-6T1-305DPI FRU (ROHS)	EX6T1-305		1	0	1	0	0	0	0	0	1	1	1	0	0	A
	7FM06977100	PRINT-HEAD-6T1-305DPI FRU (ROHS) new	Changed: 12/17 (NOTE1)		1	0	1	0	0	0	0	0	1	1	1	0	0	A
	7FM07076000	PRINT-HEAD-6T3-203DPI FRU (ROHS)	EX6T3-203		0	0	0	1	0	0	0	0	0	0	0	1	0	A
	7FM07076100	PRINT-HEAD-6T3-203DPI FRU (ROHS) new	Changed: 12/17 (NOTE1)		0	0	0	1	0	0	0	0	0	0	0	1	0	A
	7FM07075000	PRINT-HEAD-6T3-305DPI FRU (ROHS)	EX6T3-305		0	0	0	0	1	0	0	0	0	0	0	0	1	A
	7FM07075100	PRINT-HEAD-6T3-305DPI FRU (ROHS) new	Changed: 12/17 (NOTE1)		0	0	0	0	1	0	0	0	0	0	0	0	1	A
4-11	0TSCB0225503F	B-EX HARNESS PWR K FRU (ROHS)	same as B-EX4T		1	1	1	1	1	1	1	1	1	1	1	1	1	
4-12	0TSCB0225704F	B-EX HARNESS SIG K FRU (ROHS)	same as B-EX4T		1	1	1	1	1	1	1	1	1	1	1	1	1	
4-13	0TSCB0225605F	B-EX SENSOR K FRU (ROHS)			1	1	1	1	1	1	1	1	1	1	1	1	1	
4-14	FMHC0008201	Ribbon Take-up Slit Gear	same as B-EX4T		1	1	1	1	1	1	1	1	1	1	1	1	1	
4-15	FMHC0026201	Ribbon Feed Slit Gear	same as B-EX4T		1	1	1	1	1	1	1	1	1	1	1	1	1	
4-16	FMHB0018301	Idler Gear	same as B-EX4T		1	1	1	1	1	1	1	1	1	1	1	1	1	
4-17	0TSHC0073302F	EX4T1 MO SNSR LEVER FRU (ROHS)	same as B-EX4T		1	1	1	1	1	1	1	1	1	1	1	1	1	
4-18	0C0-17479000F	AT24C02-PUM FRU (ROHS)	same as B-EX4T		1	1	1	1	1	1	1	1	1	1	1	1	1	
4-19	0TSBC0199101F	ASYB-EX6T1-RBN-MOTOR FRU (ROHS)			1	1	1	1	1	1	1	1	1	1	1	1	1	E
	7FM07329000	ASYB-EX6T1-RBN-DRY new	Changed: 12/17 (NOTE1)		1	1	1	1	1	1	1	1	1	1	1	1	1	E
4-20	0TSED0128602F	EX6T1-PT-PRINT-ROTOR FRU (ROHS)			1	1	1	1	1	1	1	1	1	1	1	1	1	
4-21	7FM00061000	Slit Sensor Mounting Plate (Feed)	same as B-EX4T		1	1	1	1	1	1	1	1	1	1	1	1	1	
4-22	7FM00066000	Slit Sensor Mounting Plate (Take-up)	same as B-EX4T		1	1	1	1	1	1	1	1	1	1	1	1	1	
4-23	0TSHC0072604F	EX4T1 MO STOPPER FRU (ROHS)	same as B-EX4T		1	1	1	1	1	1	1	1	1	1	1	1	1	
4-24	-----	ASYS-EX6T1-RBN-CORE-BASE FRU (ROHS)	Deleted: 12/17		4	4	4	4	4	4	4	4	4	4	4	4	4	
4-25	0TSCC0312301F	ASYS-EX6T1-RBN-DRV-BASE FRU (ROHS)			1	1	1	1	1	1	1	1	1	1	1	1	1	

A: 6T1-TS15-R B: 6T1-GS12-QM-R C: 6T1-TS12-QM-R D: 6T3-GS12-QM-R E: 6T3-TS12-QM-R F: 6T1-GS12-CN-R G: 6T1-GS16-CN-R  
H: 6T1-GS18-CN-R I: 6T1-TS12-CN-R J: 6T1-TS16-CN-R K: 6T1-TS18-CN-R L: 6T3-GS12-CN-R M: 6T3-TS12-CN-R



# 5. Circle cutter module (B-EX206-QM-R)

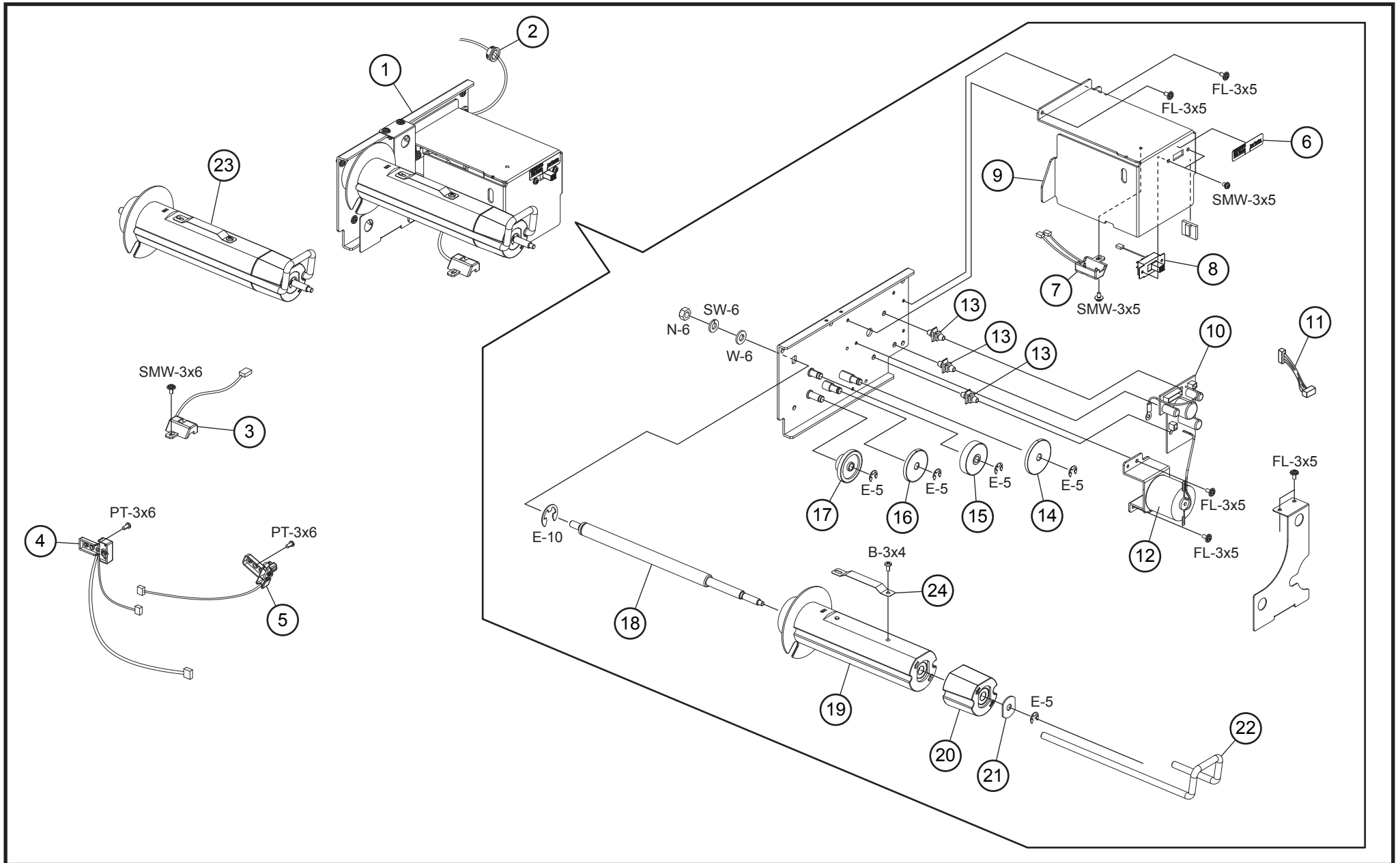
B-EX6 Series SEP., 2016  
Revised Mar., 2019





# 6. Peel off module (B-EX906-H-QM-R)

B-EX6 Series SEP., 2016  
(Revision Date: Dec. 19, 2017)



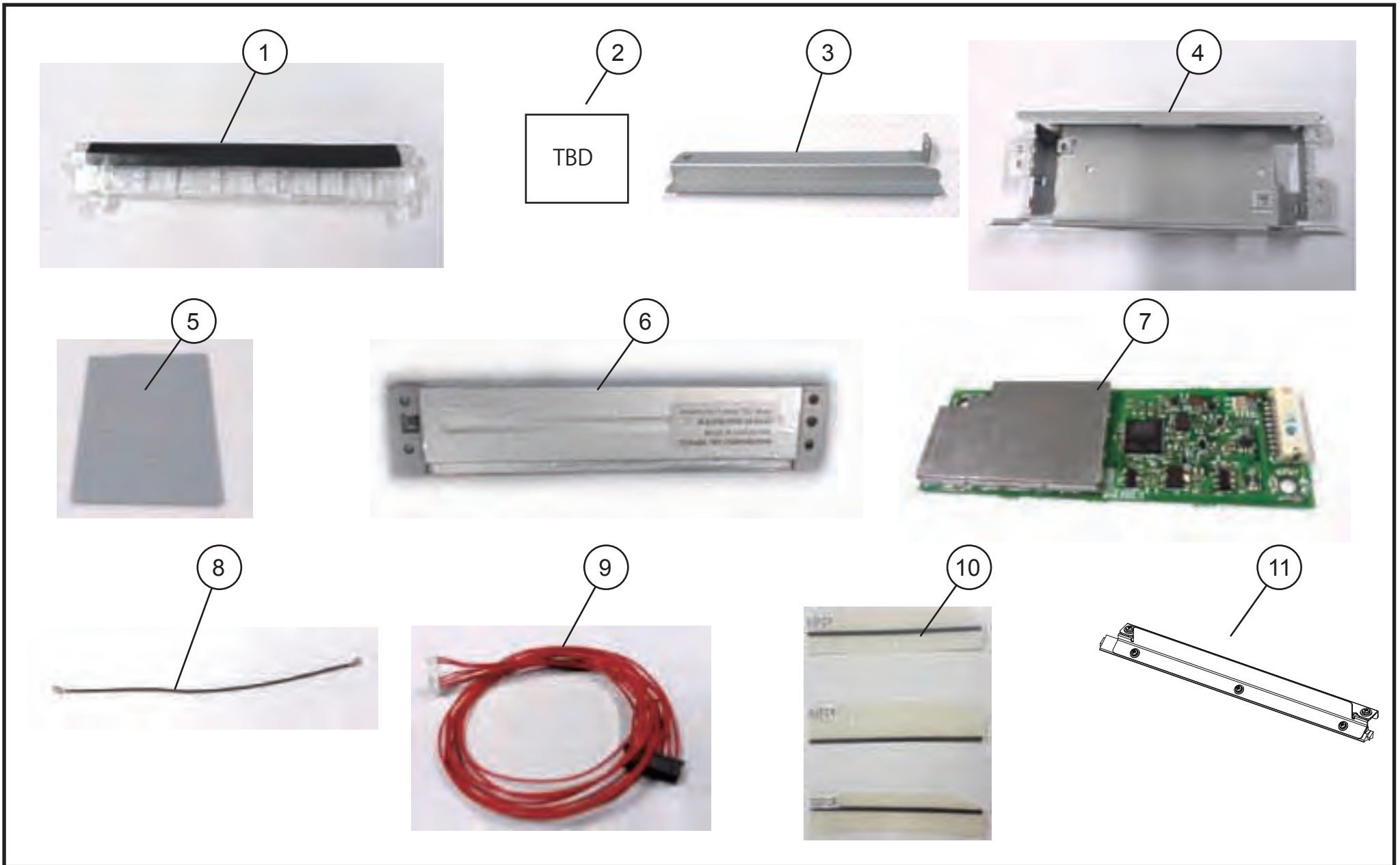


## 6. Peel off module (B-EX906-H-QM-R)

E08-33035  
B-EX6 Series SEP., 2016  
(Revision Date: Mar., 2019)

Ref. No.	Part No.	Description	Remarks	MOQ	A								Recommended Parts
6-1	7FM07006000	EX906-REWIND-BLOCK		1	1								
	7FM07290000	ASYB-EX906-REWIND-BLOCK	Changed: 1/'18										
	7FM07290100	ASYB-EX906-REWIND-BLOCK	Changed: 3/'19										
6-2	F0-00168000	Cable Bush OLBT-13		1	1								
6-3	0TSCB0245802F	X-BACKING PAPER FLOW SENSOR-(B) BK FRU (ROHS)		1	1								E
6-4	7FM07012000	EX906-STRIP-SENS-TR FRU (ROHS)		1	1								
6-5	7FM07010000	EX906-STRIP-SENS-LED FRU (ROHS)		1	1								E
6-6	FMMB0044201	Slide Switch Label		1	1								
6-7	0TSCB0245703F	X-BACKING PAPER FLOW SENSOR-(A) BK FRU (ROHS)		1	1								E
	7FM07512000	ASYS-BACK-PAPER-FL-SENS-X	Changed: 3/'19										
6-8	0TSCB0244901F	ASYS-X TORQUESW AK FRU (ROHS)		1	1								
	7FM07511000	ASYS-TORQUESW-X	Changed: 3/'19										
6-9	7FM07007000	EX906-REWIND-COVER-B FRU (ROHS)		1	1								
6-10	0TSBC0120601F	PWA-SX PWM BK FRU (ROHS)		1	1								E
	7FM01489100	PWA-SX PWM-R	Changed: 1/'18										
6-11	0TSCB0249102F	B-EX-PEEL-OFF HRNS-AK (ROHS)		1	1								
	7FM07513000	HRNS-PEEL-OFF-EX	Changed: 3/'19										
6-12	7FM00328100	ASYS-WIND MOTR-SX FRU (ROHS)		1	1								E
6-13	0FBQB0016801F	KIT CARD SPACER FRU (ROHS)		1	1								
6-14	FMHB0018201	Idler Gear		1	1								
6-15	7FM07015000	WIND-IDLE-GEAR FRU (ROHS)		1	1								
6-16	FMHB0019701	Take-up Gear		1	3								
6-17	7FM07014000	WIND-GEAR-B FRU (ROHS)											
6-18	7FM07009000	EX906-SHAFT-REWIND FRU (ROHS)		1	1								
6-19	FMCB0060602	Take-up Holder		1	1								
6-20	7FM07016000	EX906-REWIND-JOINT-ASSY		1	1								
6-21	FMEB0084502	Ribbon Shaft Stopper		1	1								
6-22	7FM07013000	EX906-SHAFT-STOPPER FRU (ROHS)		1	1								
6-23	7FM07008000	EX906-REWIND-CORE-BLOCK FRU (ROHS)		1	1								
6-24	FMQB0036201	Holder Stopper		1	1								

# 7. RFID module (B-EX706-U4 Series)







## 8. Rotary cutter module (B-EX206-R-QM-S)

E08-33035  
B-EX6 Series SEP., 2018  
(Revision Date: Jan., 2019)

Ref. No.	Part No.	Description	Remarks	MOQ	A									Recommended Parts
8-1	FMEC0083601	Cutter Guide SX		1	1									
8-2	7FM07040000	ASYB-EX204-CUTTER-BK		1	1									
8-3	FMBB0043601	Paper Guide A		1	1									
8-4	7FM01620000	White Screw M-3x4		1	1									
8-5	FMEC0046101	Paper Guide B		1	1									
8-6	FMEC0069201	N Cutter Guide D		1	1									
8-7	0D0-34918000F	GRFC-4 FRU	Unique parts for B-EX206-R-QM-S	1	1									
8-8	7FM07042000	HRNS-B-EX-RCUTTER-MAIN		1	1									
8-9	7FM07043000	PWA-ROTARY-CUTTER		1	1									
8-10	<del>0TSED0137504F</del> 0TSED0137502F	EX6T-FRAME-RCUTTER-B FRU	Unique parts for B-EX206-R-QM-S Changed: 1/19	1	1									
8-11	0TSEC0250901F	EX6T-FRAME-RCUTTER-A FRU	Unique parts for B-EX206-R-QM-S	1	1									
8-12	7FM07044000	N-CUTTER-PCB-COVER		1	1									
8-13	<del>0TSEC0009104F</del> 7FM07440000	ASYS-EX6-R-COVER-COAT FRU	Unique parts for B-EX206-R-QM-S Changed: 1/19	1	1									
8-14	7FM07046000	M4-THUMB-SCREW		1	2									
8-15	F0-00070000	Speed Nut TM-147-2		1	2									
8-16	7FM07047000	CUTTER-SUPPORT-PLATE-A		1	1									
8-17	0TSCB0162002F	ASYB EX204 RCUTTER FRAME FRU	Unique parts for B-EX206-R-QM-S	1	1									
8-18	<del>0TSEC0251004F</del> 0TSEC0251002F	EX6T-R-PT-STAY-CUTTER FRU	Unique parts for B-EX206-R-QM-S Changed: 1/19	1	1									
8-19	0FMEC0069303F	N CUTTER PCB FRAME B	Unique parts for B-EX206-R-QM-S	1	1									
8-20	0TSCB0254602F	B-EX ROTARY CUTTER SW AK FRU	Unique parts for B-EX206-R-QM-S	1	1									
8-21	N/A	N/A		-	-									
8-22	7FM07050000	HRNS-RCUTDRV-CHP-SENR		1	1									
8-23	7FM07051000	RCUTDRV-CHP-SENR		1	1									
8-24	7FM07052000	CUTTER-RELEASE-LEVER		1	1									
8-25	FMMB0050101	Jam Clear Label		1	1									
8-26	7FM07053000	CUTTER- SENSOR-PLATE		1	1									
8-27	7FM07054000	M4X6-SEMS-ZC		1	2									
8-28	7FM06783000	HEAD-CLEANER-THCB-3N		1	1									
8-29	ZBA-2318001	Trigger Solenoid		1	1									
8-30	F0-00168000	Cable Bush OLBT-13		1	1									
8-31	7FM07055000	CUTTER-HP-SENSOR-PLATE		1	1									
8-32	7FM06784000	HEAD-CLEANER-THCB-4N		1	1									

# 30. OPTIONS

B-EX6 Series SEP., 2016  
(Revision Date: Apr., 2019)

